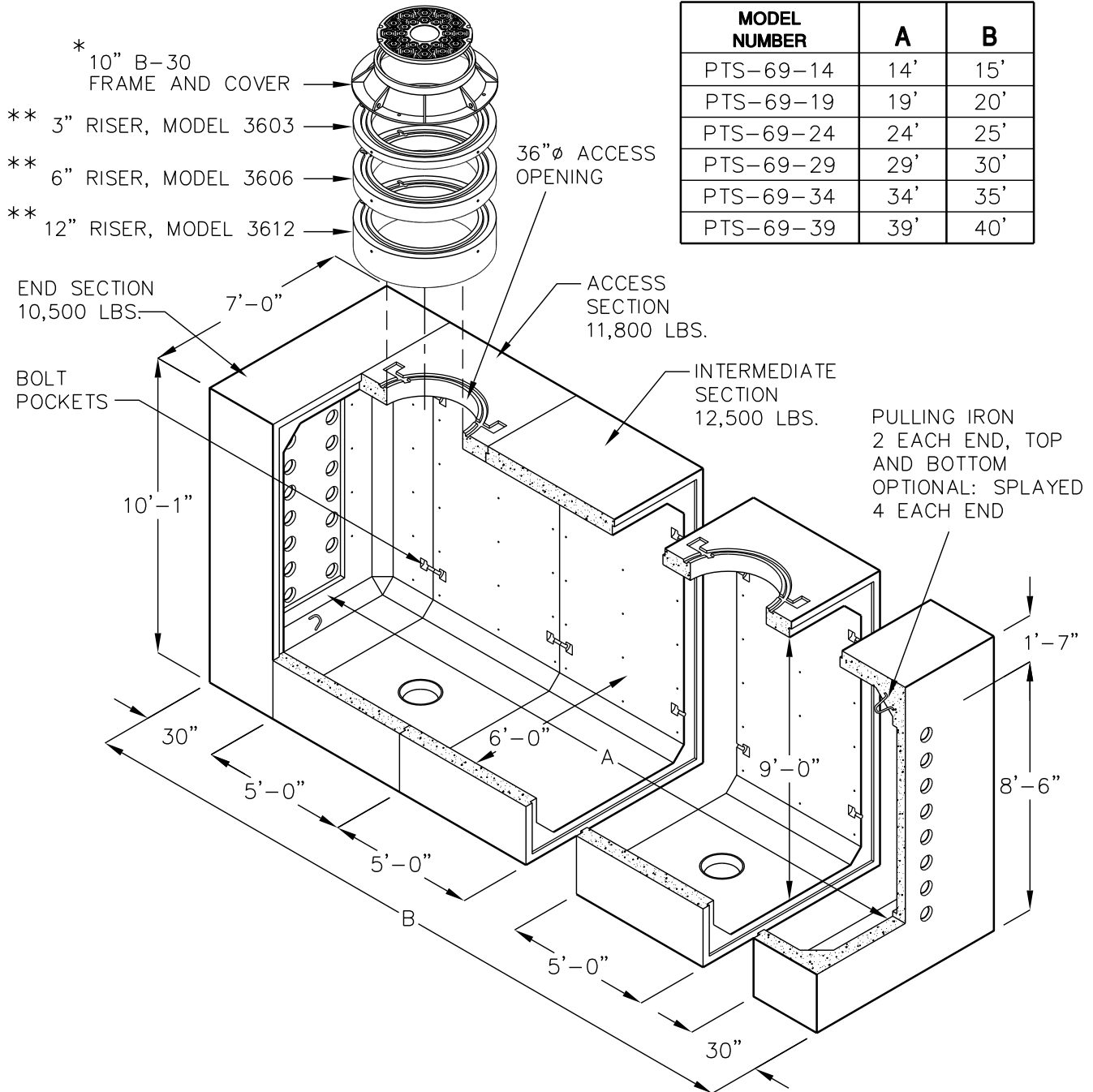


PTS-69 TELEPHONE MANHOLE



MODEL NUMBER	A	B
PTS-69-14	14'	15'
PTS-69-19	19'	20'
PTS-69-24	24'	25'
PTS-69-29	29'	30'
PTS-69-34	34'	35'
PTS-69-39	39'	40'

BOX DESIGN LOAD:
H-20, TRAFFIC
WITH 1' TO 5' EARTH COVER

FOR COMPLETE DESIGN
AND PRODUCT INFORMATION,
CONTACT JENSEN PRECAST.

- * SEE HARDWARE/APPURTENANCES SECTION FOR SPECIFICATIONS.
- ** RISERS OPTIONAL. SEE COLLAR/RISER SECTION FOR SPECIFICATIONS.