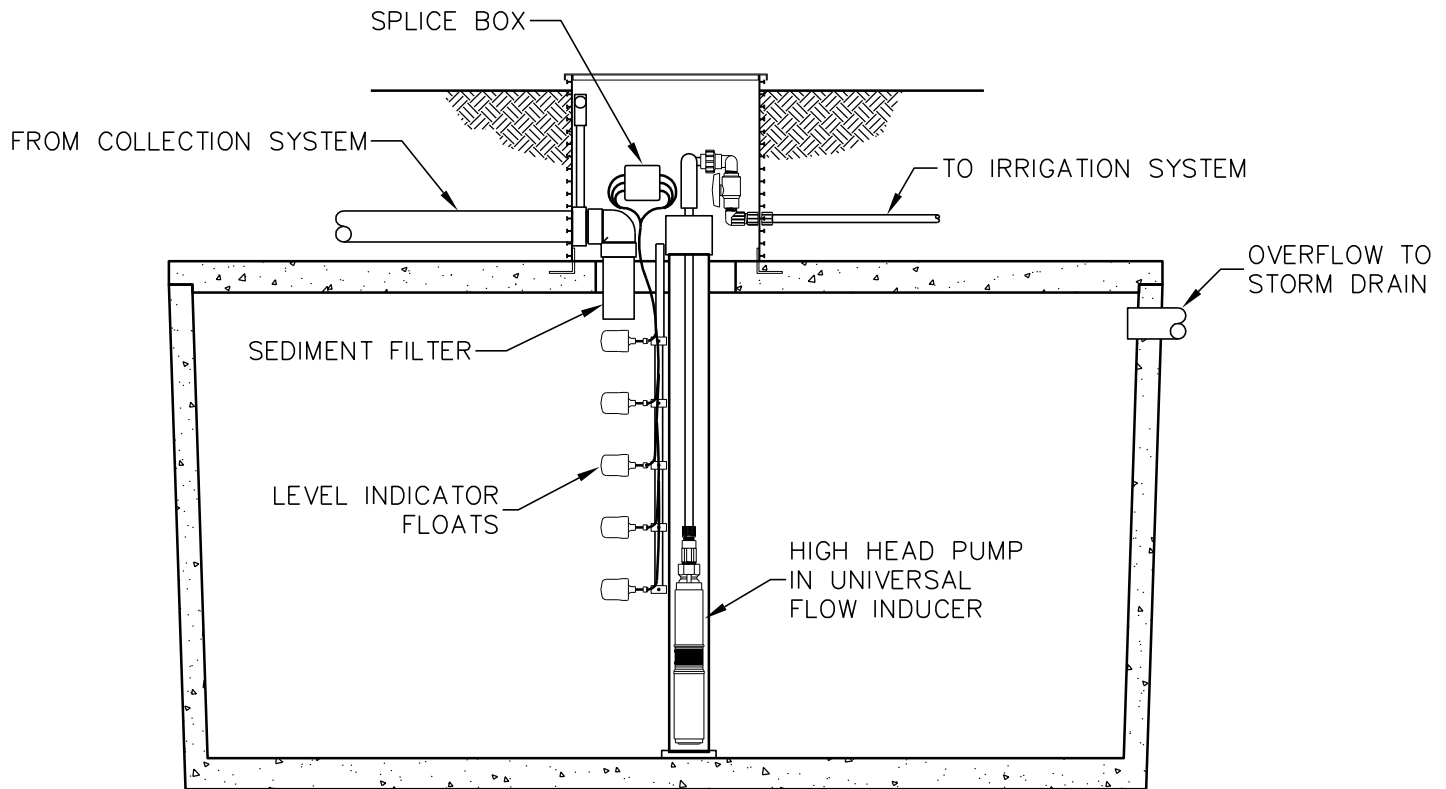


# RAINWATER RE-USE STORAGE AND PUMPING SYSTEM

INCORPORATING ORENCO RAIN COLLECTION  
PUMP AND CONTROL PACKAGE



**ELEVATION SECTION**

- 500 TO 50,000 GALLON UNDERGROUND TANKS FOR LOW VISUAL IMPACT.
- FOR LAWN, GARDEN, AND MICROFARM IRRIGATION, PONDS, FOUNTAINS, AND OTHER NON-POTABLE WATER REQUIREMENTS.
- WATER CAN BE DISPENSED MANUALLY OR AUTOMATICALLY.