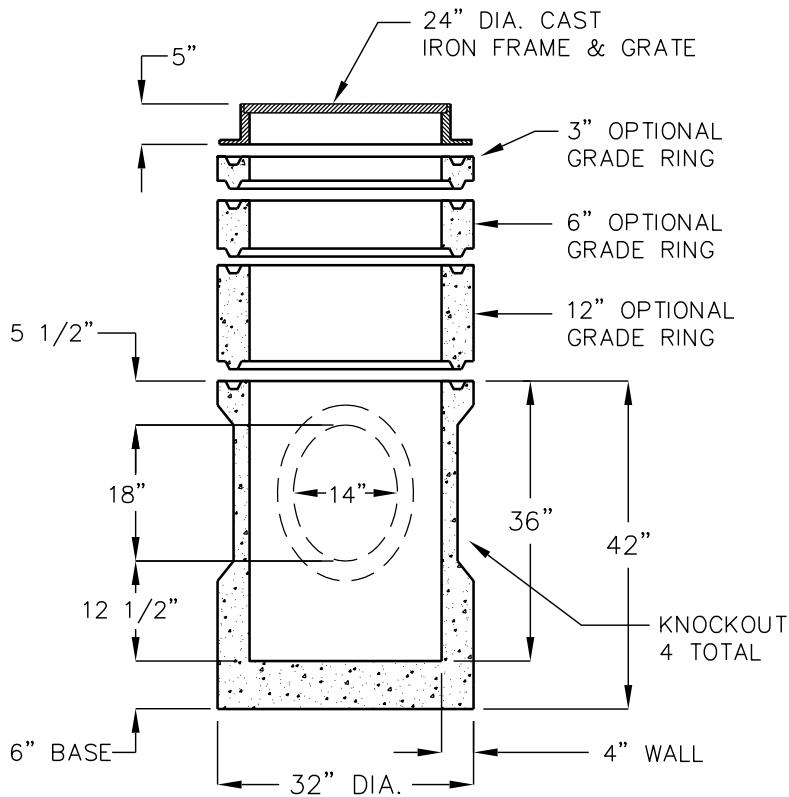
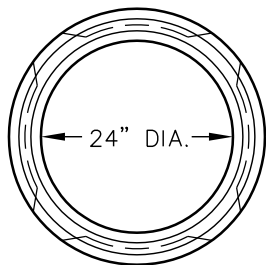


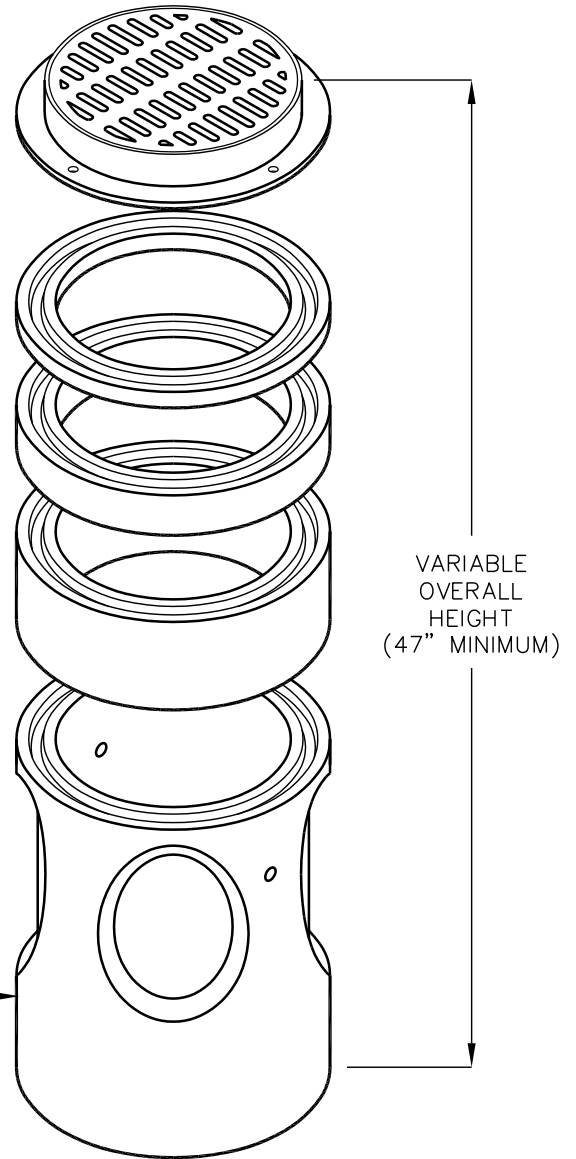
NO. 200 DROP INLET



SECTION



TOP VIEW



OPTIONAL RISERS

DESCRIPTION	APPROX. WT.
2432 GR-03 GRADE RING	92 LBS.
2432 GR-06 GRADE RING	183 LBS.
2432 GR-12 GRADE RING	366 LBS.

DESIGN LOAD:
H-20 TRAFFIC

FOR COMPLETE DESIGN,
AND PRODUCT INFORMATION,
CONTACT JENSEN PRECAST.