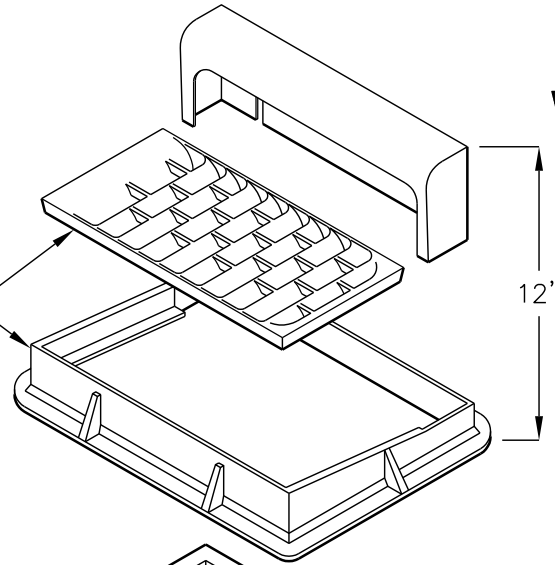


# DI2436

## 24"x36" CURB INLET WITH CAST IRON FRAME GRATE, AND HOOD

UP TO 6'-0" INSIDE  
DEPTH, OPTIONAL  
RISERS AVAILABLE

CAST IRON HOOD,  
FRAME AND VEIN  
GRATE 3295-4,  
APPROX WEIGHT:  
510 LBS.



DROP INLET			
MODEL NO.	A	B	WEIGHT**
DI243636*	36"	42"	3028 LBS.
DI243648	48"	54"	3889 LBS.
DI243660	60"	66"	5611 LBS.
DI243672	72"	78"	6472 LBS.

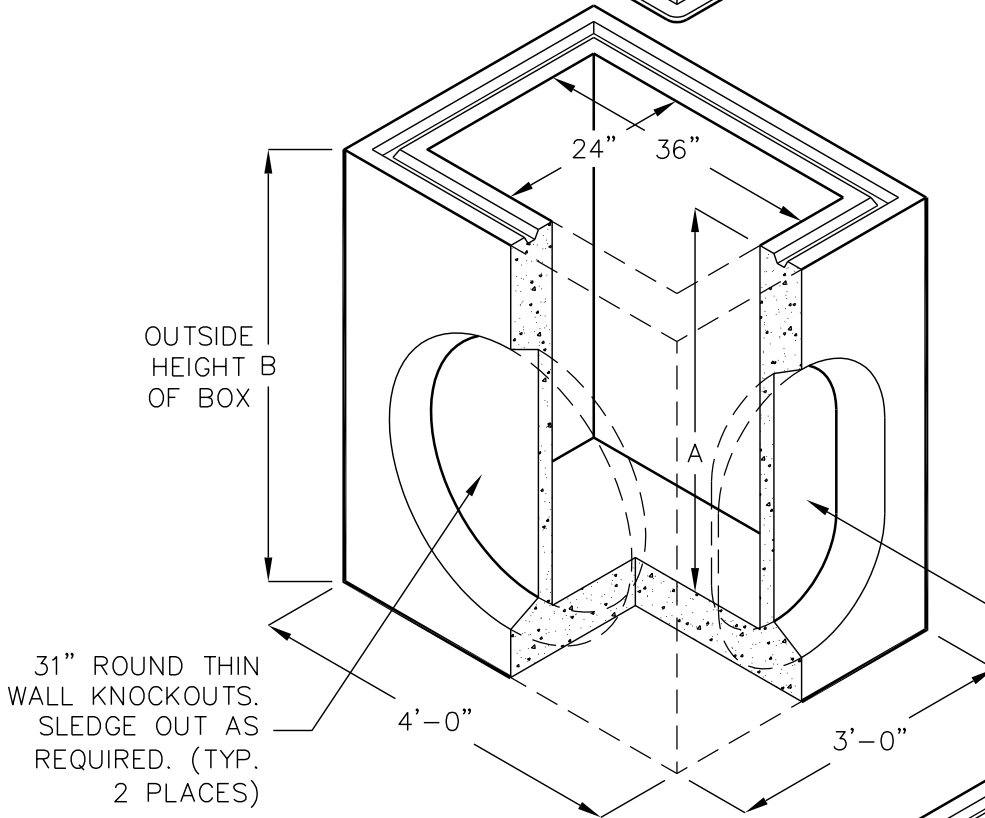
\*STANDARD

\*\*BOX ONLY

USE AS A DESIGN  
ALTERNATIVE FOR:  
**NDOT TYPE 3  
AND  
CLARK COUNTY  
TYPE A OR TYPE B\*\*\***

\*\*\*VANE GRATES MEET  
FLOW REQUIREMENTS FOR  
NDOT TYPE 3, MODIFIED  
TYPE 3, CLARK COUNTY  
TYPE B, C AND D.

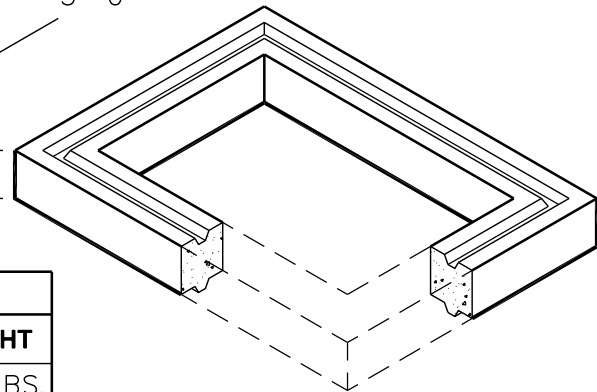
18"x31" THIN  
WALL KNOCKOUTS.  
SLUDGE OUT AS  
REQUIRED. (TYP.  
2 PLACES)



OUTSIDE  
HEIGHT B  
OF BOX

31" ROUND THIN  
WALL KNOCKOUTS.  
SLUDGE OUT AS  
REQUIRED. (TYP.  
2 PLACES)

OPTIONAL  
EXTENSION C  
HEIGHT



EXTENSION		
MODEL NO.	C	WEIGHT
RS243606	6"	450 LBS.
RS243612	12"	900 LBS.

BOX DESIGN LOAD: H-20  
FULL TRAFFIC

FOR COMPLETE DESIGN  
AND PRODUCT INFORMATION,  
CONTACT JENSEN PRECAST.