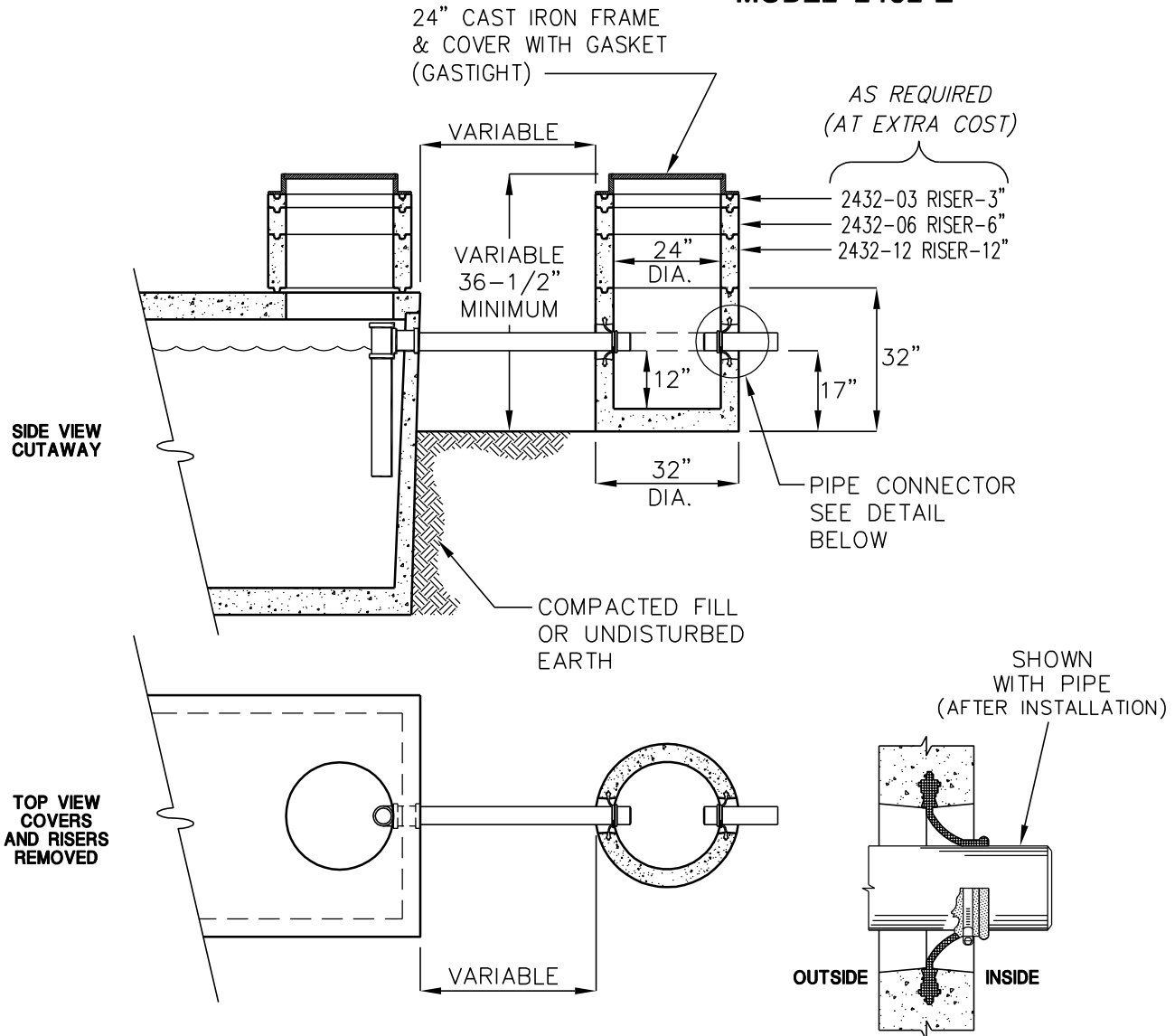


SAMPLE BOX WITH PIPE CONNECTORS

MODEL 2432-Z



DETAIL PIPE CONNECTOR (Z-LOK)

PIPE CONNECTOR
CAST INTEGRALLY
IN WALL. WILL ACCEPT
PIPE O.D. (INCHES)

MIN.	MAX.
4.25	6.25

SEE Z-LOK PIPE CONNECTOR PAGE
FOR ADDITIONAL INFORMATION

BOX WEIGHT: 1250 LBS.
BOX DESIGN LOAD: H-20 TRAFFIC

SAMPLE BOX MUST BE PLACED ON
SUITABLE BASE OF COMPACTED SOIL
OR UNDISTURBED EARTH IN TRAFFIC
CONDITION. FOR COMPLETE DESIGN
AND PRODUCT INFORMATION,
CONTACT JENSEN PRECAST.