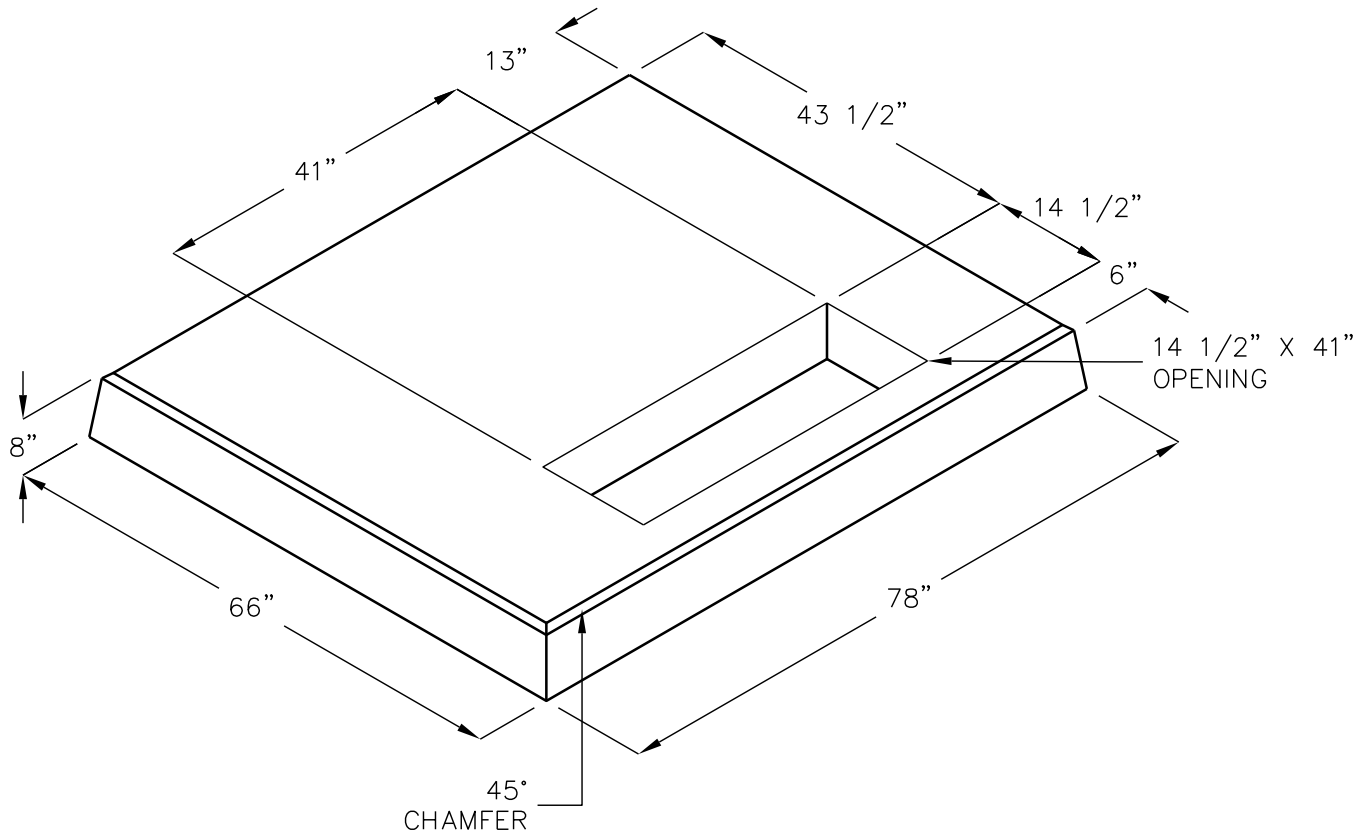




# TEP SR-233 'A' TRANSFORMER PAD

75-500 KVA  
DWG. # SR-233 'A'



APPROX. WEIGHT: 3,200 LBS.

FOR COMPLETE DESIGN  
AND PRODUCT INFORMATION  
CONTACT JENSEN PRECAST.