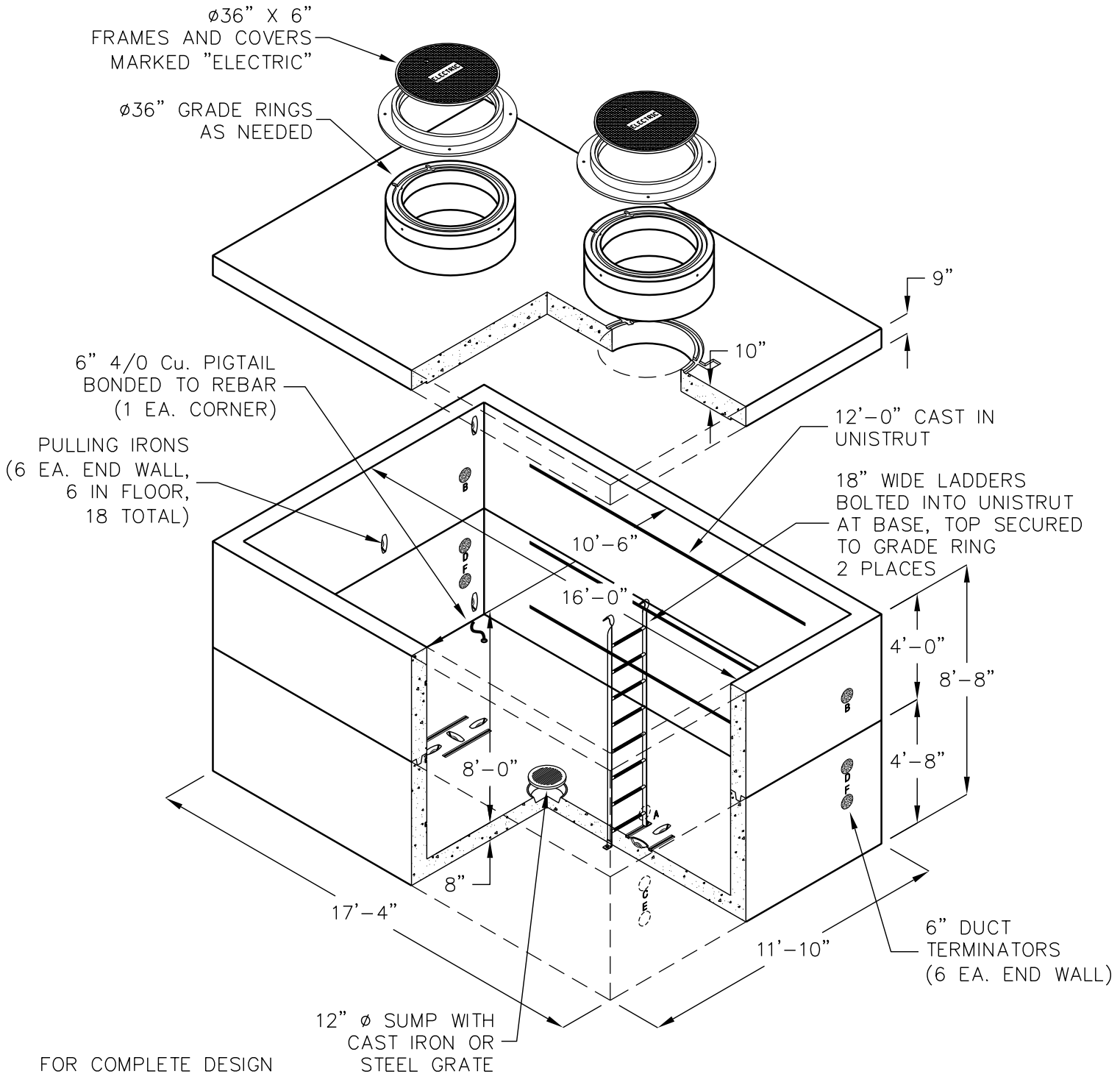




# TEP SR-225 'C' MANHOLE

10'-6" X 16'-0" X 8'-0" I.D.

DWG. # SR-225 "C"



FOR COMPLETE DESIGN  
AND PRODUCT INFORMATION  
CONTACT JENSEN PRECAST.