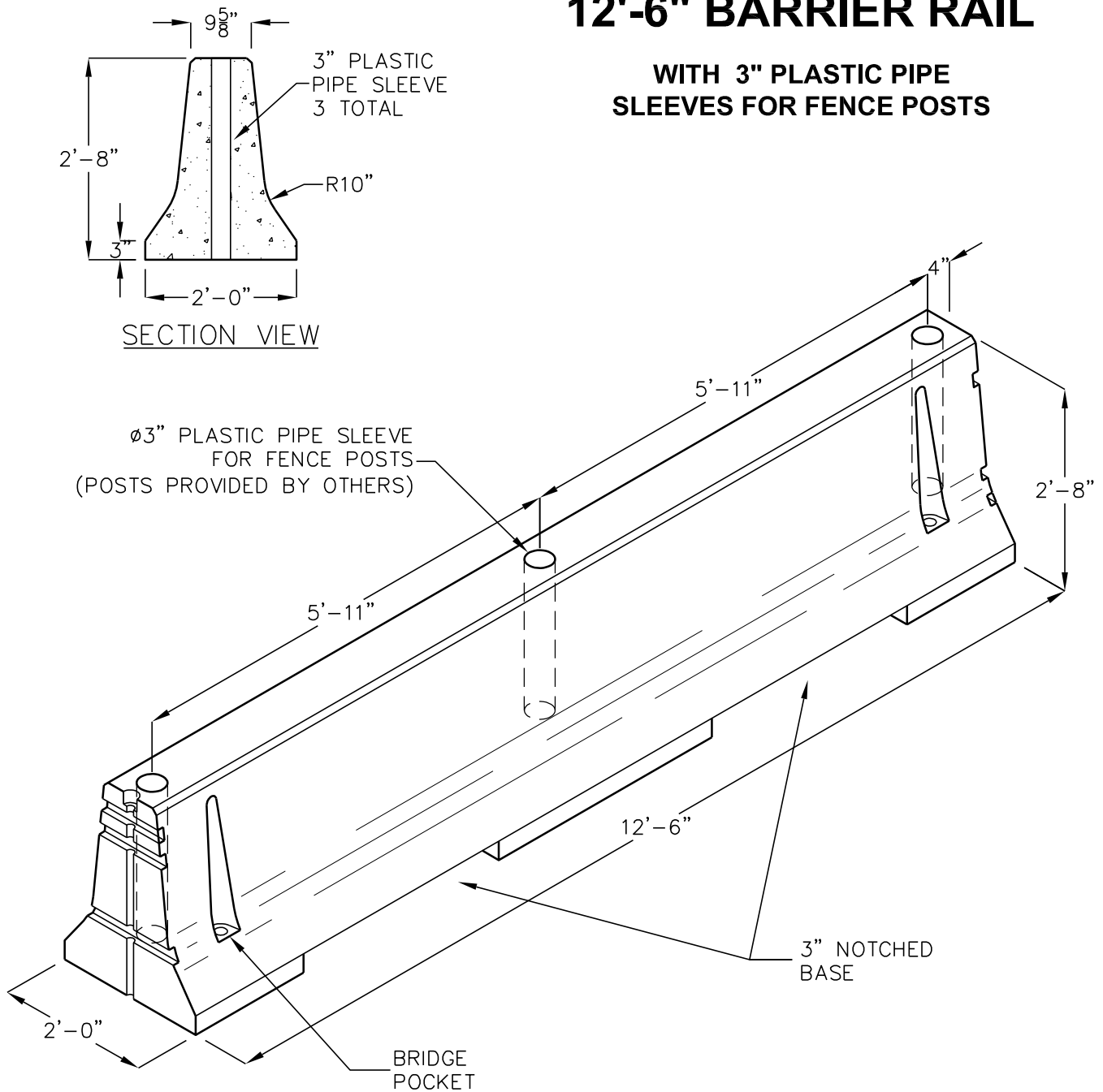


12'-6" BARRIER RAIL

WITH 3" PLASTIC PIPE SLEEVES FOR FENCE POSTS



SPECIFICATIONS:

1. APPROXIMATE WEIGHT PER SECTION: 6,100 LBS.
2. LAYING LENGTH PER PANEL 12'-7".
3. BRIDGE POCKETS ACCEPT 1-1/4" HOLES FOR 1" DIA. ANCHOR RODS.

JENSEN PRECAST MANUFACTURES CONCRETE BARRIER RAILS IDEALLY SUITED FOR STREET CLOSURES, DETOURS, AND CONSTRUCTION SITES.

FOR COMPLETE DESIGN AND PRODUCT INFORMATION CONTACT JENSEN PRECAST.

Jensen Precast reserves the right to make changes to product design and/or dimensions without notice. Please contact Jensen Precast whenever necessary for confirmation or advice on product design.

JENSEN
PRECAST