

**FOR VEHICULAR CONTROL AND CONSTRUCTION SITE SAFETY:**

- Reduced Crossover Accidents
- Reduced Liability Exposure
- Reduced Vehicle Damage
- Reduced Traffic Fatalities

# 12'-6" (3.075m) BARRIER ODOT F SHAPE

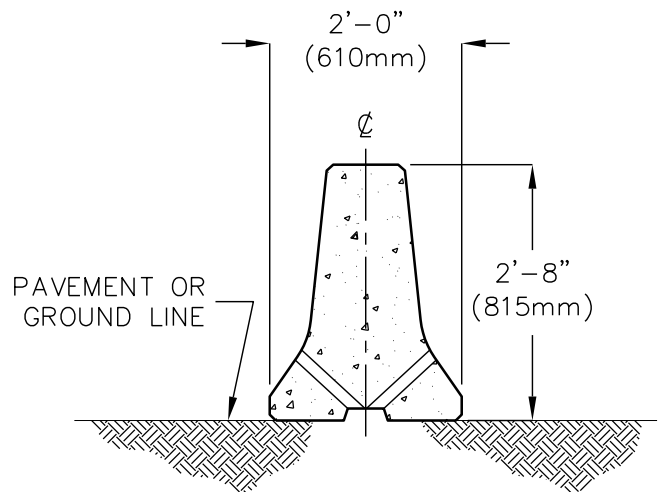
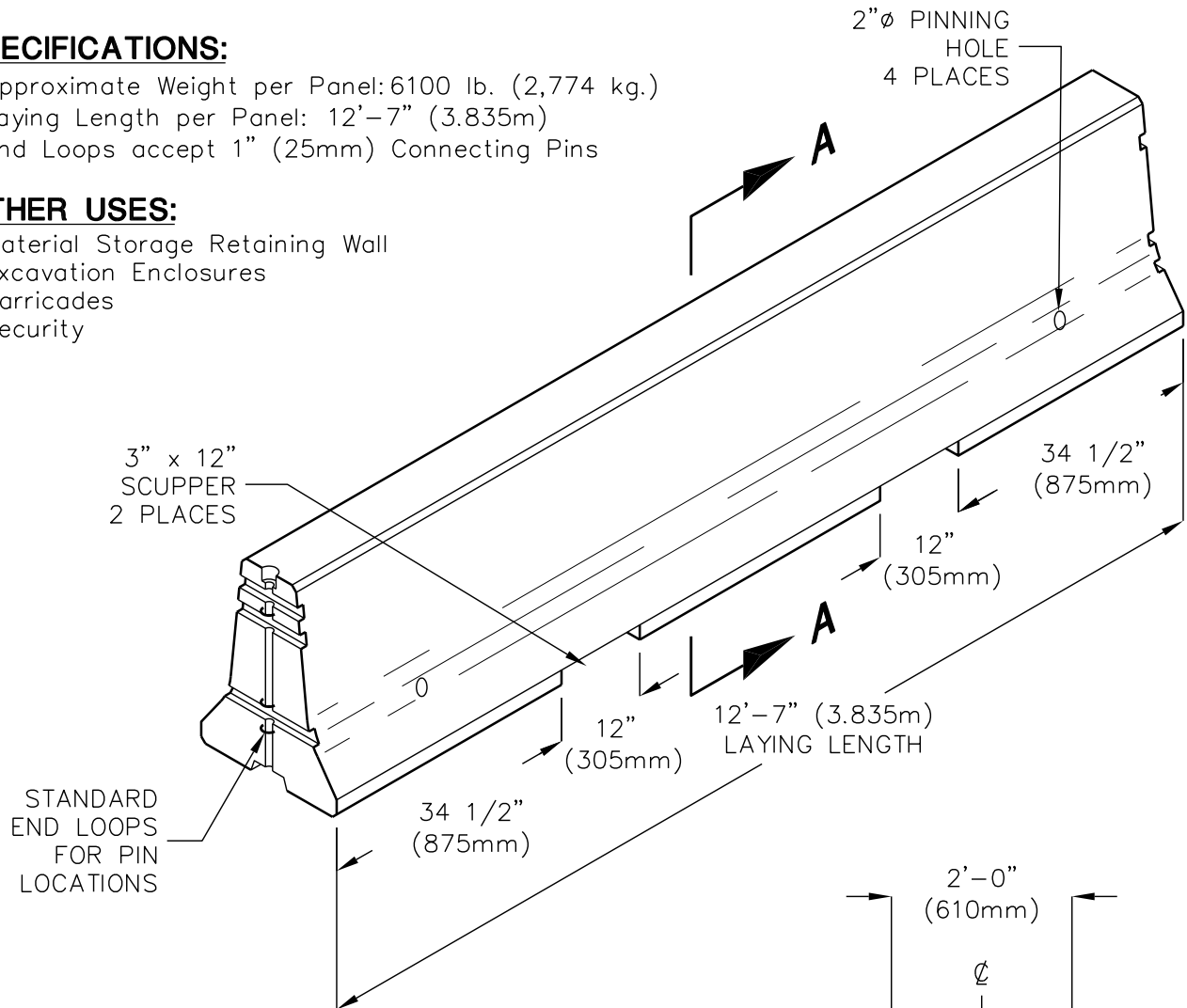
## PORTABLE PRECAST CONCRETE BARRIER RAIL

**SPECIFICATIONS:**

- Approximate Weight per Panel: 6100 lb. (2,774 kg.)
- Laying Length per Panel: 12'-7" (3.835m)
- End Loops accept 1" (25mm) Connecting Pins

**OTHER USES:**

- Material Storage Retaining Wall
- Excavation Enclosures
- Barricades
- Security



JENSEN PRECAST MANUFACTURERS CONCRETE BARRIER RAILS, IDEALLY SUITED FOR STREET CLOSURES, DETOURS AND CONSTRUCTION SITES.

BARRIERS ARE AVAILABLE FOR SALE OR RENTAL ON A SHORT OR LONG TERM BASIS.

NOTE: METRIC CONVERSIONS ROUNDED TO NEAREST 5mm.

FOR COMPLETE DESIGN AND PRODUCT INFORMATION CONTACT JENSEN PRECAST.