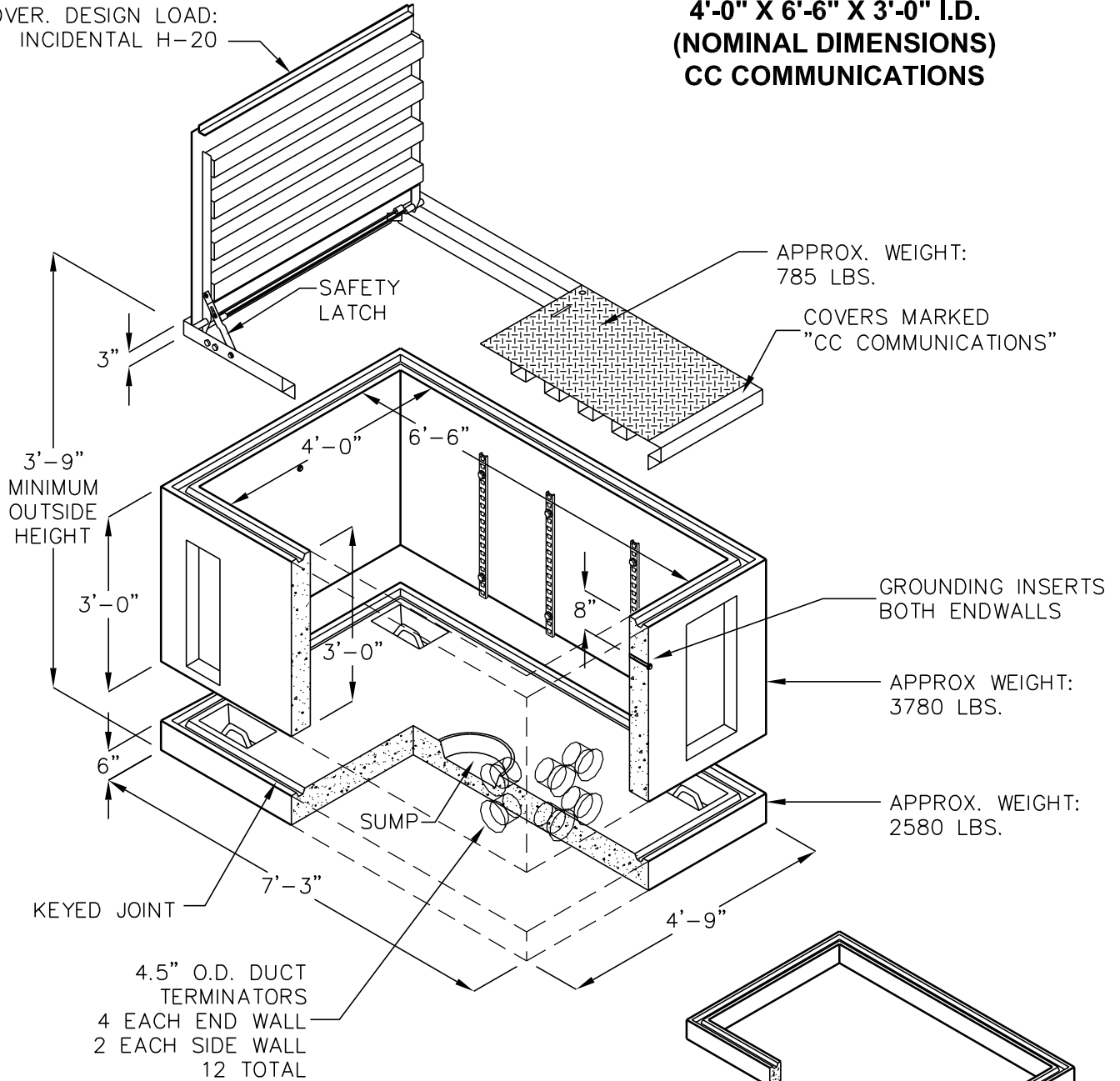


UV466TA-I INTERCEPT PULLBOX

4'-0" X 6'-6" X 3'-0" I.D.
(NOMINAL DIMENSIONS)
CC COMMUNICATIONS

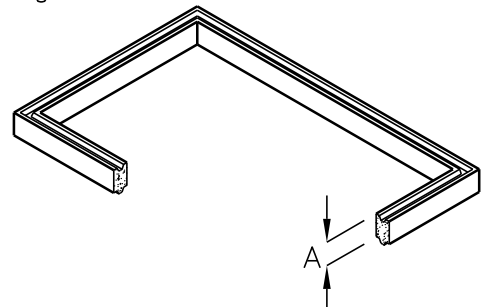
4878AT TORSION
SPRING ASSISTED
COVER. DESIGN LOAD:
INCIDENTAL H-20



KNOCKOUTS, DUCT TERMINATORS, RACKING, PULLING IRONS, ETC. PER CURRENT CC COMMUNICATIONS SPECIFICATIONS.

DESIGN LOAD: INCIDENTAL H-20 TRAFFIC SUITABLE FOR OFF STREET LOCATIONS AWAY FROM HIGH DENSITY TRAFFIC.

FOR COMPLETE DESIGN AND PRODUCT INFORMATION CONTACT JENSEN PRECAST.



OPTIONAL RISERS (EXTENSIONS)		
MODEL NO.	A	WEIGHT
466-R6	6"	646 LBS.
466-R12	12"	1190 LBS.