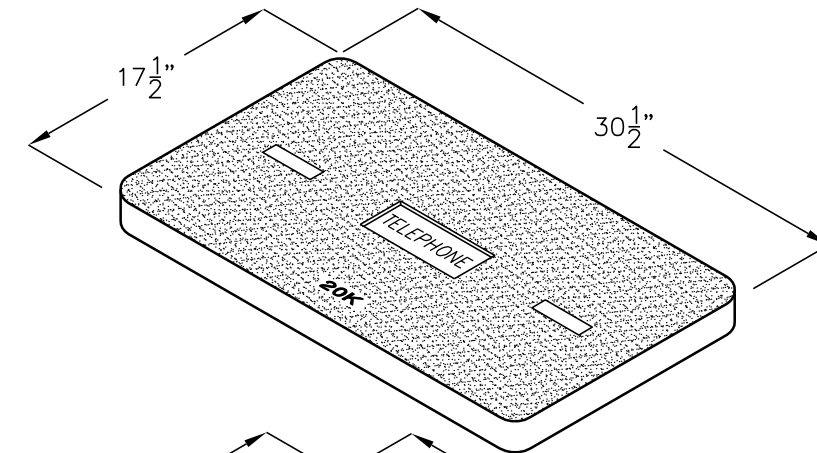
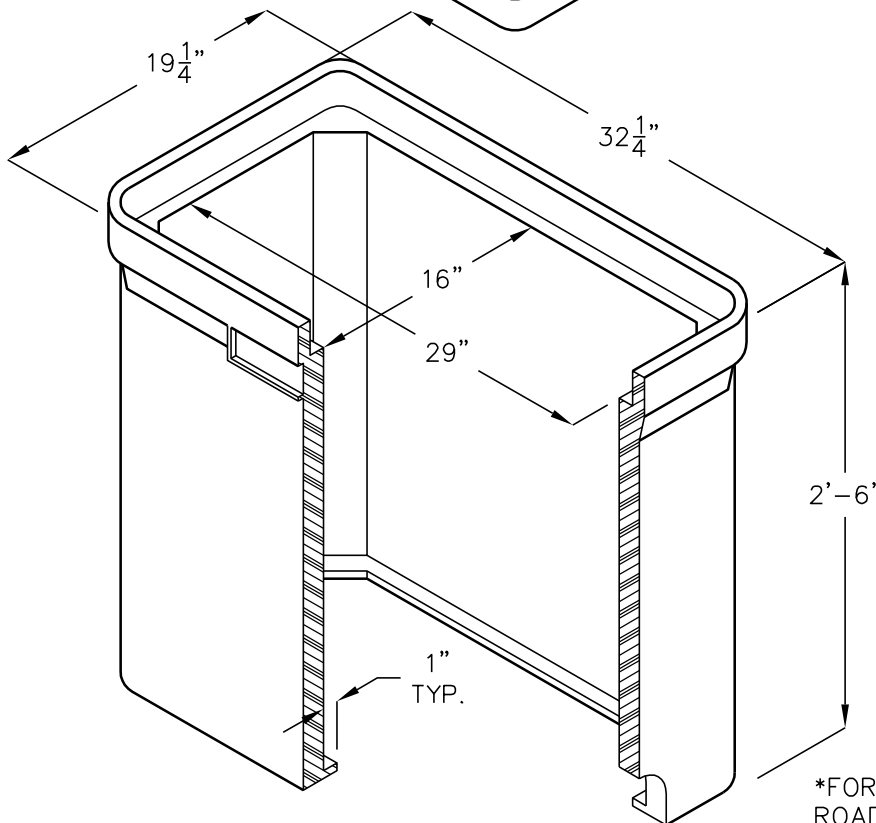


EMBARQ P-30 HANDHOLE

MEETS EMBARQ
SPECIFICATIONS



*20K POLYMER LID
WEIGHT: 74 LBS.
STOCK # PCL1730TEL



*POLYMER BOX
WEIGHT: 129 LBS.
STOCK # PCB173030

LOAD RATING: 22,568#
VERTICAL TEST LOAD OVER
A 10" X 10" TEST AREA.

FOR COMPLETE DESIGN
AND PRODUCT INFORMATION
CONTACT JENSEN PRECAST.

*FOR USE IN SIDEWALKS,
ROADWAY MEDIANS AND
BEHIND CURB LOCATIONS
WHERE NO DELIBERATE
VEHICULAR TRAFFIC IS
PLANNED. METERS PLACED
IN ROLL CURBS OR
DRIVEWAYS REQUIRE TRAFFIC
RATED BOX AND LID.