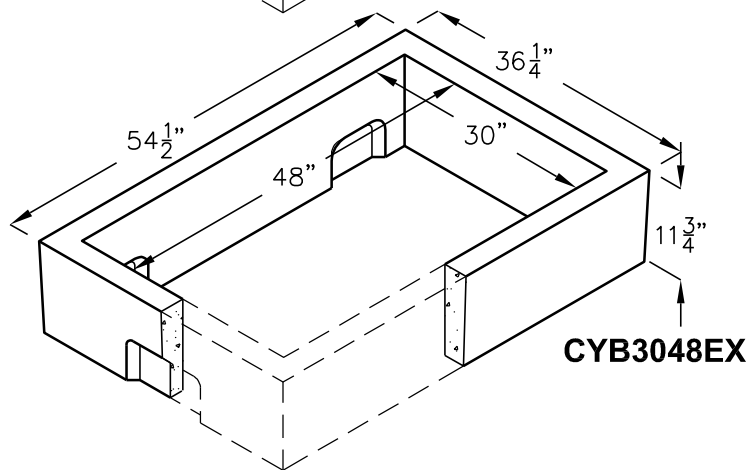
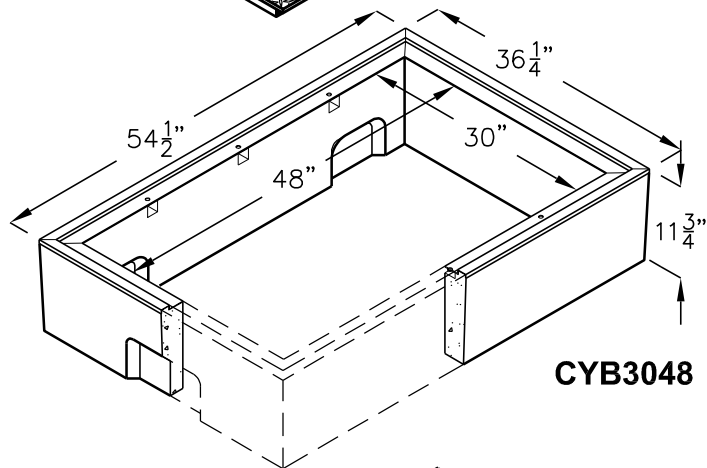
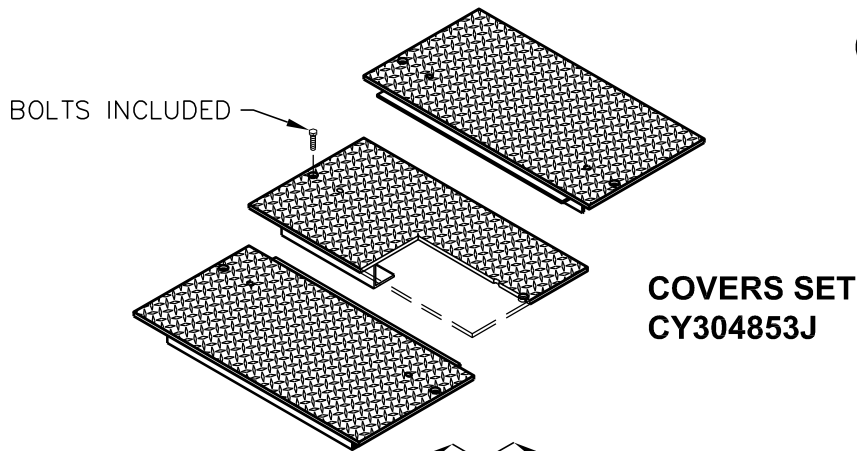


B3048 HANDHOLE

30"x48"
(NOMINAL I.D.)



MODEL NO.	PRODUCT	DESCRIPTION	APPROX. WEIGHT
CY304853J	COVER SET	STEEL CHECKER PLATE, TRAFFIC RATED, WITH HOLD DOWN BOLTS	300 LBS.
CYB3048	HANDHOLE	REINFORCED CONCRETE WITH FRAME	465 LBS.
CYB3048EX	EXTENSION	12" HIGH REINFORCED CONCRETE	474 LBS.

DESIGN LOAD: TRAFFIC RATED WHEN INSTALLED PER CALTRANS DETAIL ES-08.

FOR COMPLETE DESIGN AND PRODUCT INFORMATION CONTACT JENSEN PRECAST.

Jensen Precast reserves the right to make changes to product design and/or dimensions without notice. Please contact Jensen Precast whenever necessary for confirmation or advice on product design.

JENSEN
PRECAST