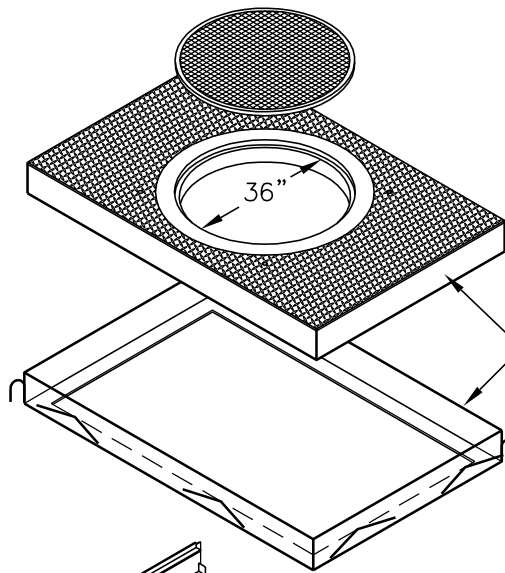
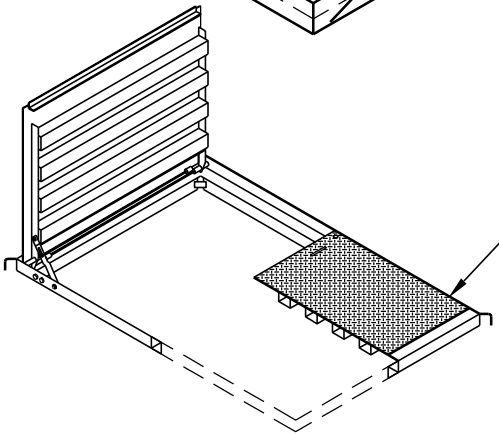


UNIVERSAL APPLICATIONS

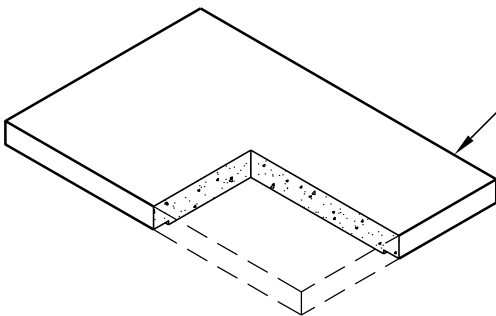
SIZE AND COVER OPTIONS



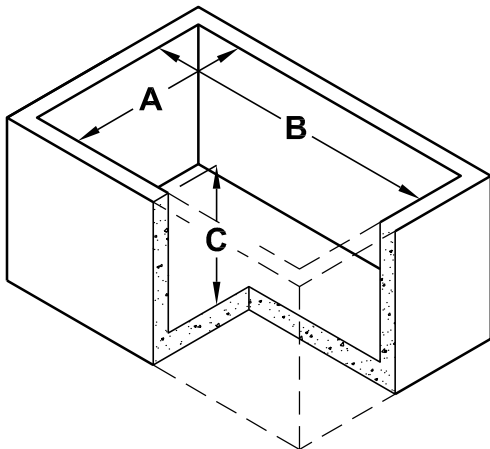
H-20 TRAFFIC RATED
EQUIPMENT ACCESS COVER.
CAST IRON RING AND COVER
CAST INTO DROP IN SLAB
WITH FRAME.



TORSION SPRING ASSISTED ACCESS COVER
INCIDENTAL H-20 TRAFFIC OR PEDESTRIAN LOADING.
GALVANIZED STEEL OR PAINT FINISH.
ALUMINUM ACCESS COVERS AVAILABLE WITH
CHANNEL OR ANGLE FRAMES.



COVER SLAB
VARIOUS ACCESS OPENINGS AVAILABLE.



TYPICAL APPLICATIONS INCLUDE:
BACKFLOW, METER, FIRE PROTECTION, OR
VALVE VAULTS.

SIZES RANGE FROM 3'x5' TO 8'x8'.
LARGER SIZES ARE AVAILABLE. CONTACT
JENSEN PRECAST FOR MORE INFORMATION.

MODEL	'A'	'B'	'C'
3660-U	3'	5'	3'
4878-U	4'	6'-6"	3'
557-U	4'-1"	6'-7"	5'-1"
577-U	4'-1"	6'-7"	6'-7"
4686-U	4'-6"	8'-6"	6'-6"
687-U	6'	8'	7'
66-U	6'	6'	VARIES
68-U	6'	8'	VARIES
88-U	8'	8'	VARIES

FOR COMPLETE DESIGN AND PRODUCT INFORMATION
CONTACT JENSEN PRECAST.