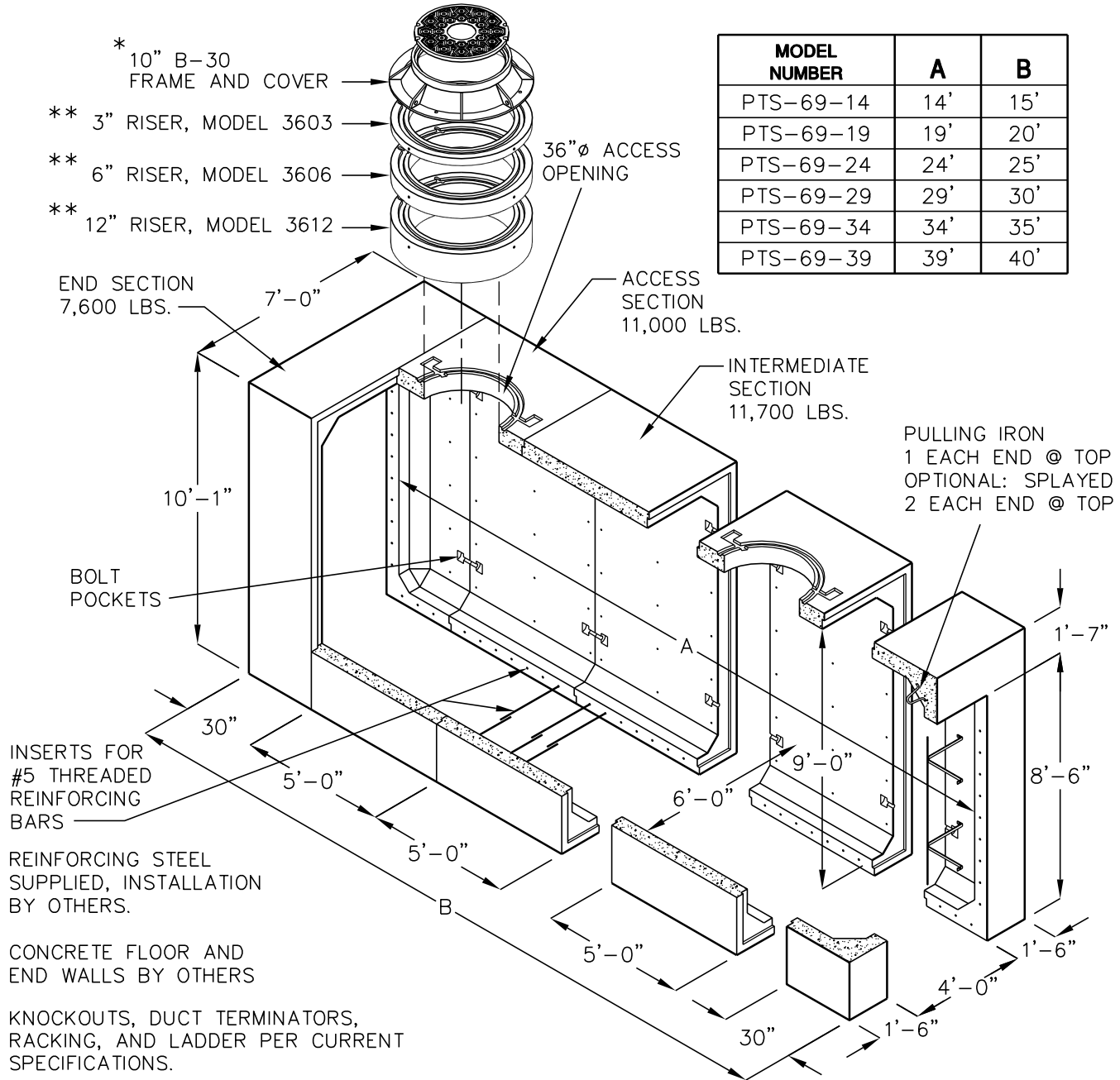


PTS69-I INTERCEPT MANHOLE



MODEL NUMBER	A	B
PTS-69-14	14'	15'
PTS-69-19	19'	20'
PTS-69-24	24'	25'
PTS-69-29	29'	30'
PTS-69-34	34'	35'
PTS-69-39	39'	40'

DESIGN LOAD:
 H-20 TRAFFIC
 WITH 1' TO 5' EARTH COVER
 FOR COMPLETE DESIGN
 AND PRODUCT INFORMATION,
 CONTACT JENSEN PRECAST.

* SEE HARDWARE/APPURTENANCES SECTION
 FOR SPECIFICATIONS.
 ** RISERS OPTIONAL. SEE COLLAR/RISER
 SECTION FOR SPECIFICATIONS.

Jensen Precast reserves the right to make changes to product design
 and/or dimensions without notice. Please contact Jensen Precast whenever
 necessary for confirmation or advice on product design.

