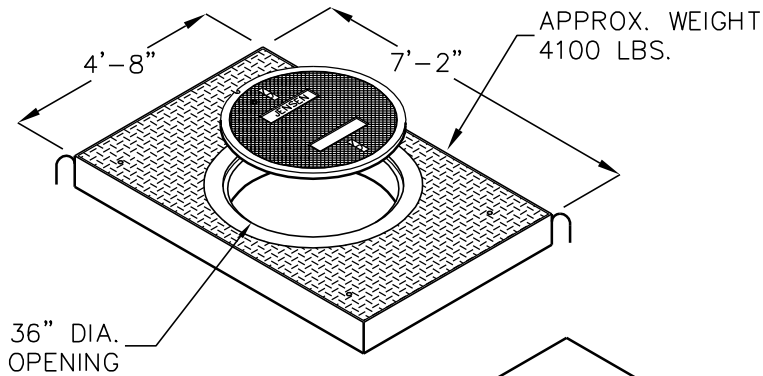


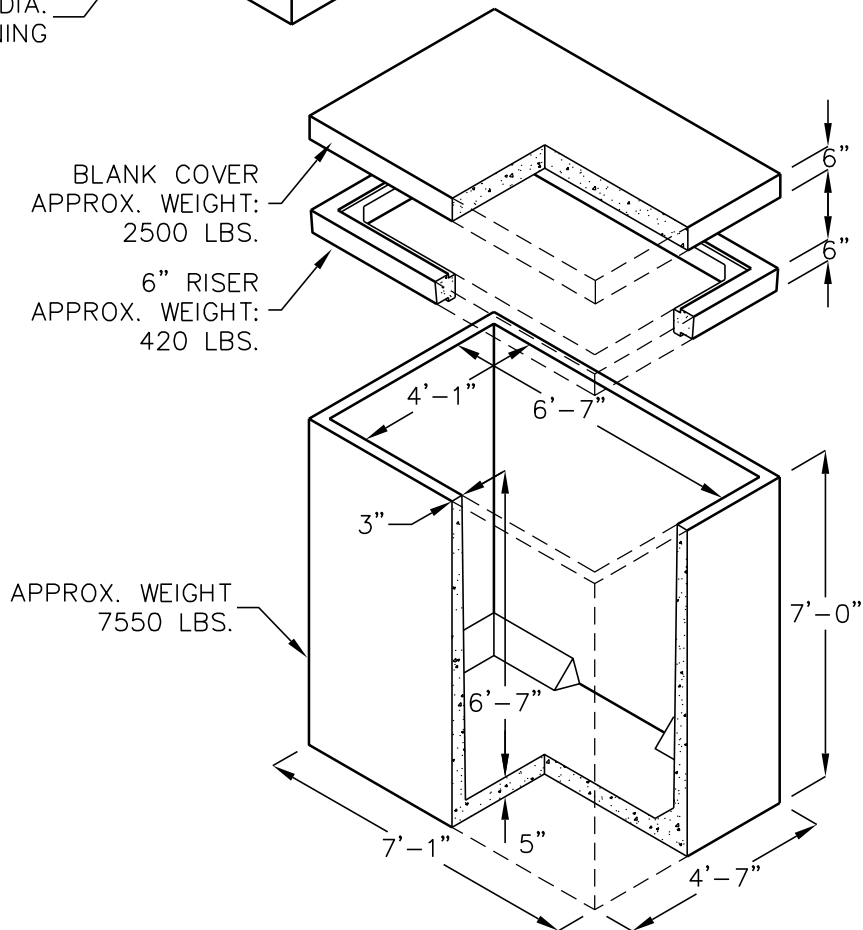
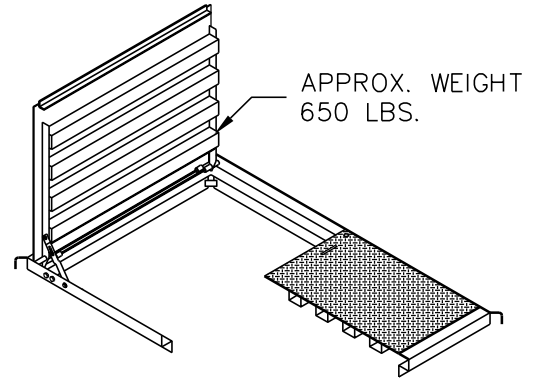
MODEL 577 U

FULL AND INCIDENTAL TRAFFIC
COVER OPTIONS
4'-0" x 6'-6" x 6'-6"
(NOMINAL DIMENSIONS)

4878HD36 COVER
H-20 TRAFFIC



4878AT COVER
INCIDENTAL H-20 TRAFFIC



FOR COMPLETE DESIGN AND PRODUCT INFORMATION
CONTACT JENSEN PRECAST.