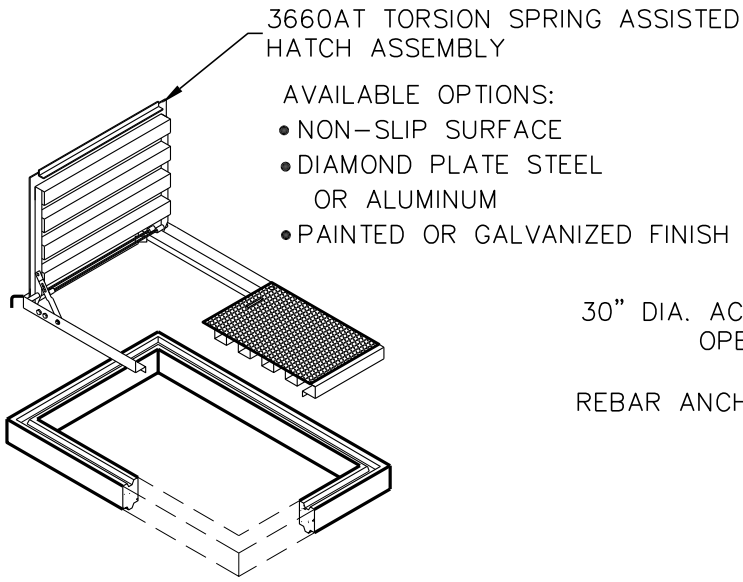


MODEL 3660 U

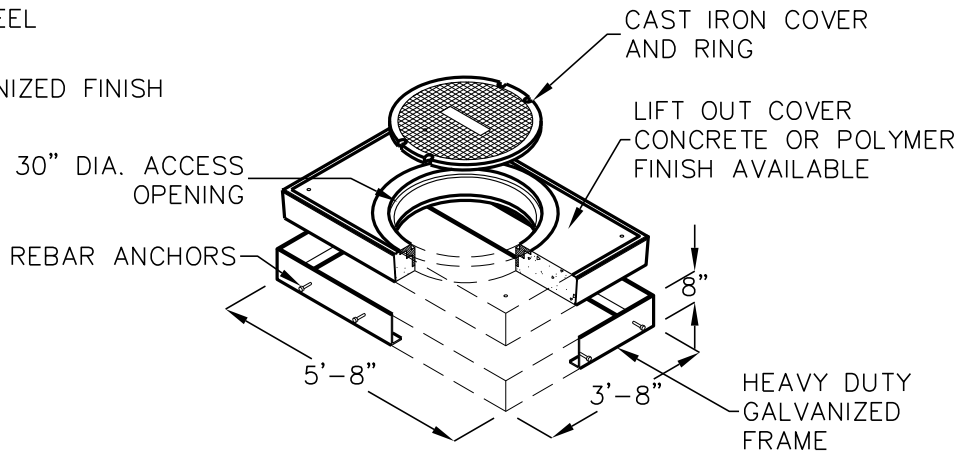
FULL AND INCIDENTAL TRAFFIC COVER OPTIONS

3'-0" x 5'-0" x 3'-0"

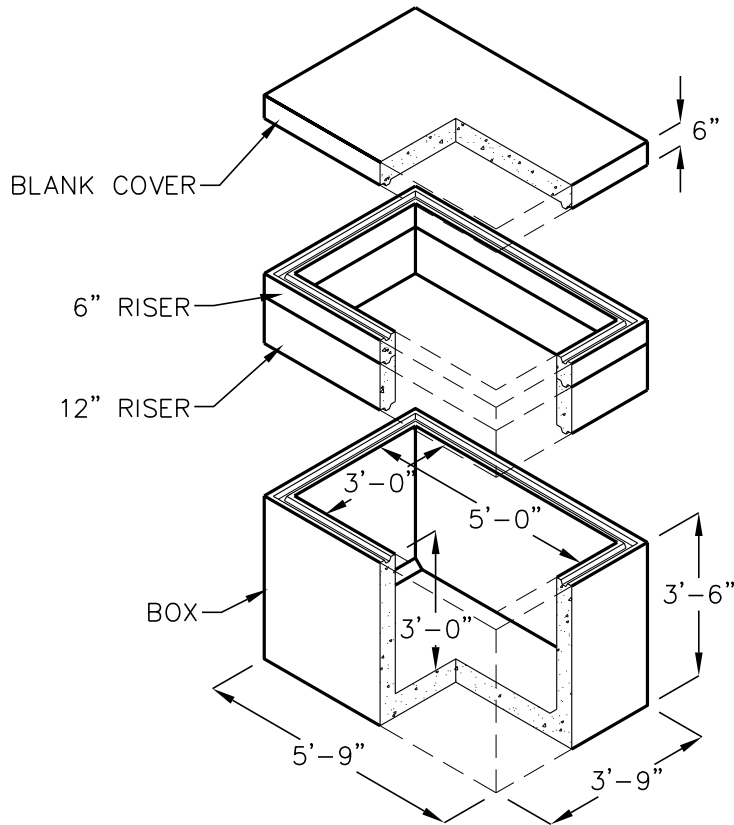
(NOMINAL DIMENSIONS)



3660AT COVER
INCIDENTAL H-20 TRAFFIC



3660HD30 COVER
H-20 FULL TRAFFIC



FOR COMPLETE DESIGN AND PRODUCT INFORMATION CONTACT JENSEN PRECAST.

Jensen Precast reserves the right to make changes to product design and/or dimensions without notice. Please contact Jensen Precast whenever necessary for confirmation or advice on product design.

