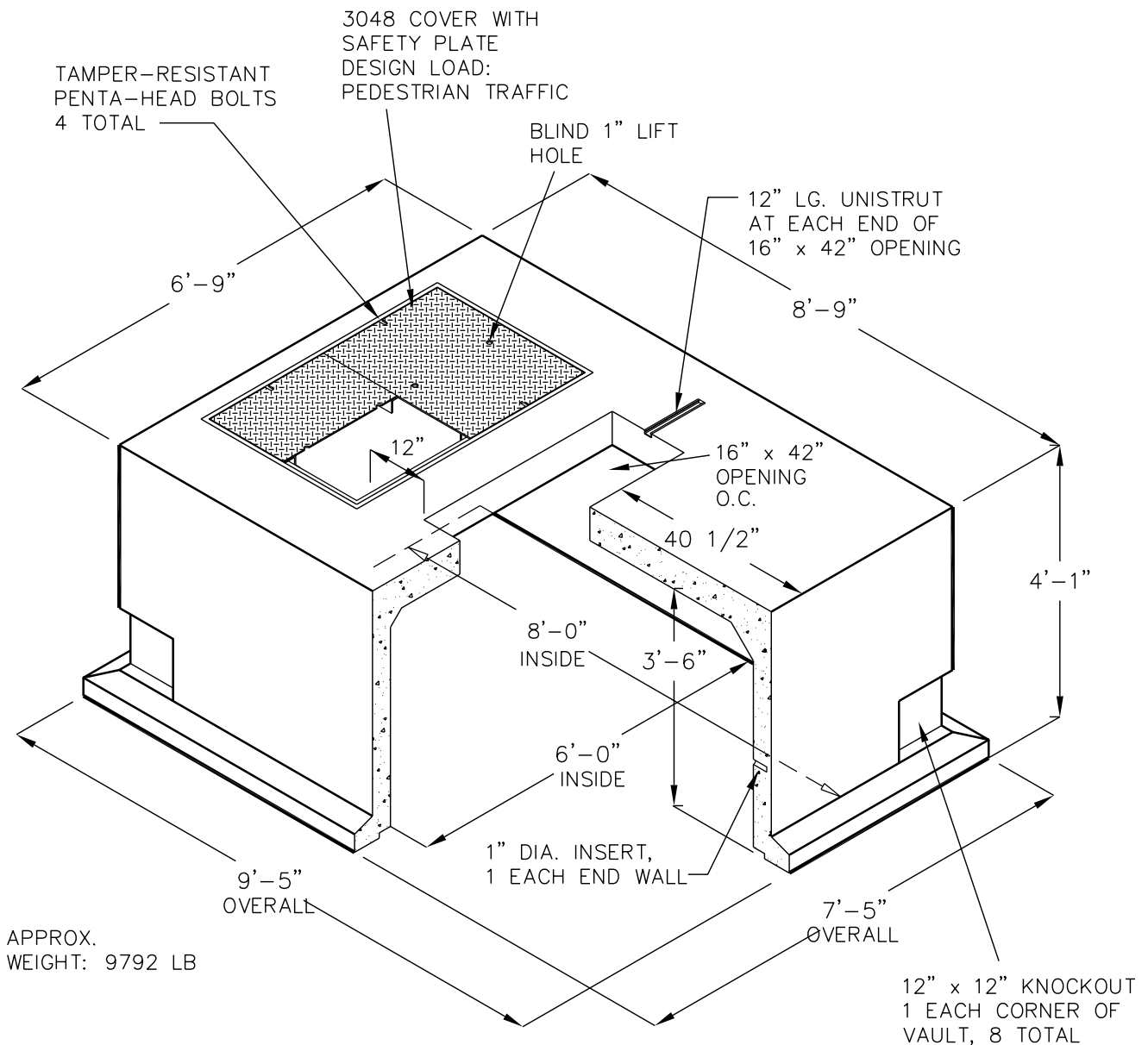


# 68-42TPV

## TRUCKEE DONNER PUBLIC UTILITY DISTRICT 6'-0" W x 8'-0" L x 3'-6" H TRANSFORMER PAD VAULT



KNOCKOUTS, UNISTRUT, OPENINGS,  
ETC., PER CURRENT TDPUD  
SPECIFICATIONS.

FOR COMPLETE DESIGN  
AND PRODUCT INFORMATION  
CONTACT JENSEN PRECAST.