

612TD

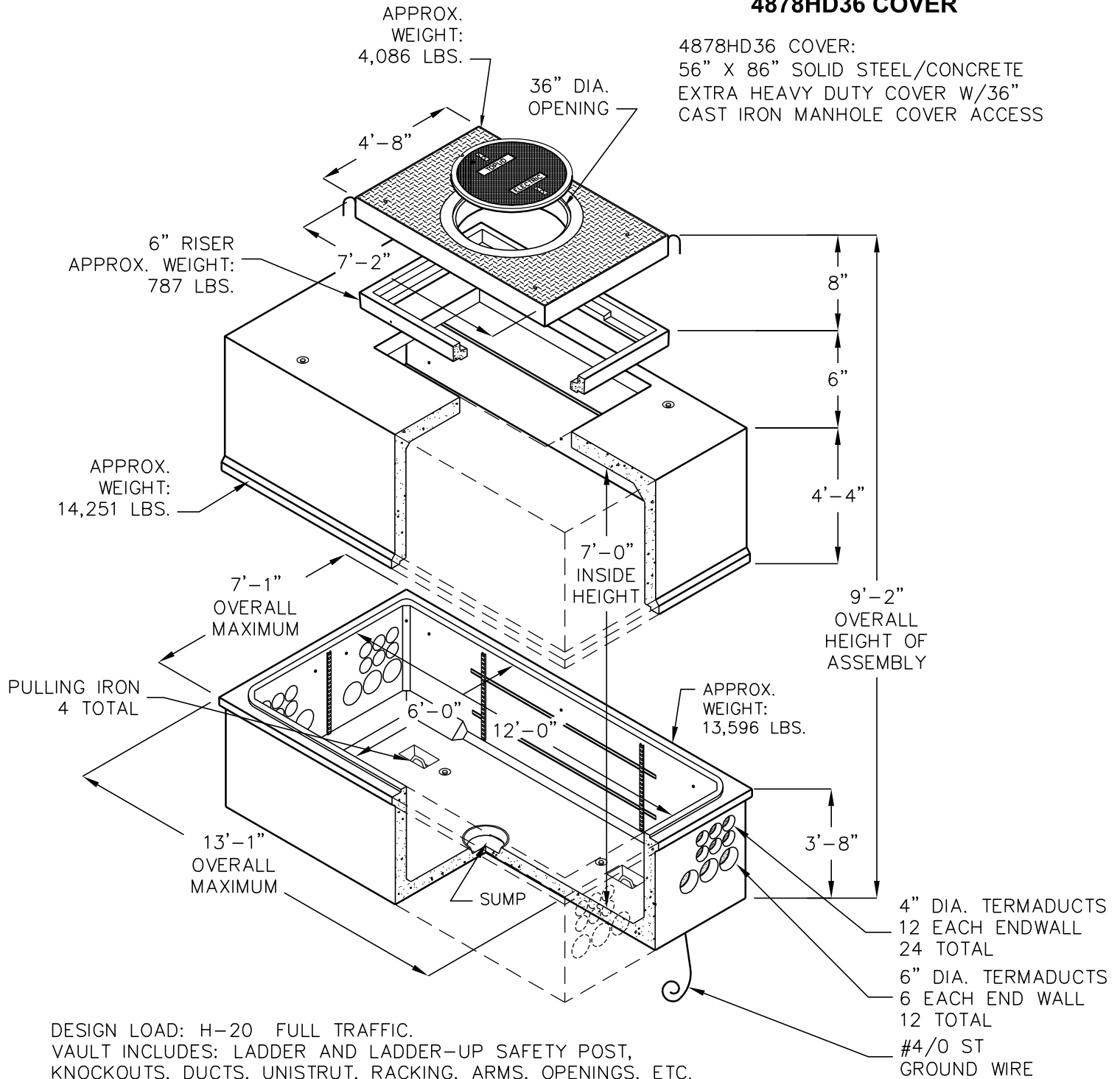
TRUCKEE DONNER PUBLIC UTILITY DISTRICT

6'-0" X 12'-0" X 7'-0" I.D.

(NOMINAL DIMENSIONS)

ELECTRICAL VAULT

4878HD36 COVER



DESIGN LOAD: H-20 FULL TRAFFIC.
VAULT INCLUDES: LADDER AND LADDER-UP SAFETY POST,
KNOCKOUTS, DUCTS, UNISTRUT, RACKING, ARMS, OPENINGS, ETC.

FOR COMPLETE DESIGN AND PRODUCT INFORMATION
CONTACT JENSEN PRECAST.