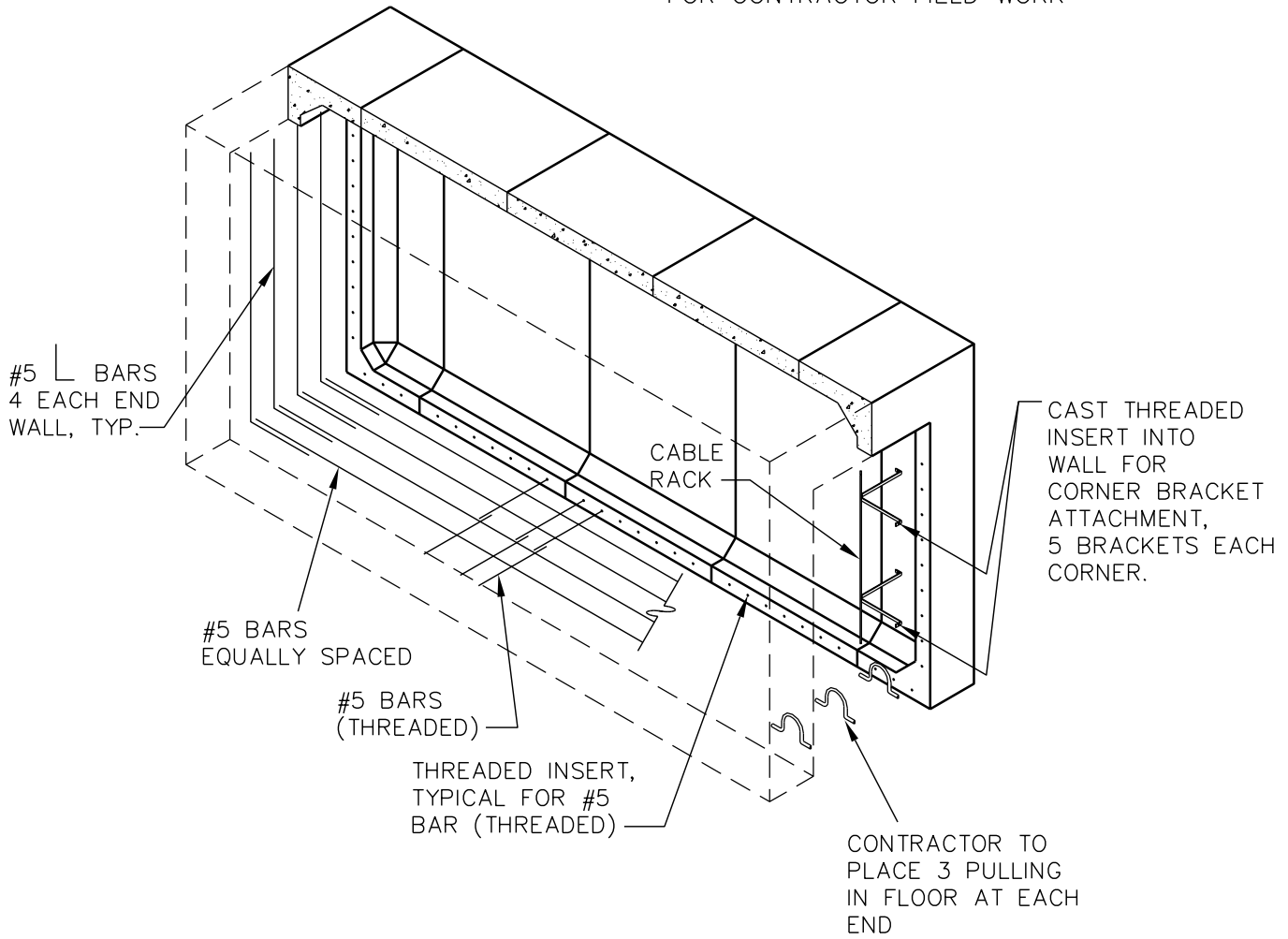


# PTS-69-I INTERCEPT REBAR DIAGRAM

FOR CONTRACTOR FIELD WORK



MODEL NUMBER	#5 L BAR	#5 THREADED REBAR	#5 STRAIGHT BAR		LARGE PULLING IRONS REQUIRED
	QUANTITY		QUANTITY	QUANTITY	
PTS-69-14'	8	80	8	9'	6
PTS-69-19'	8	94	8	11'	6
PTS-69-24'	8	108	8	14'	6
PTS-69-29'	8	122	12	11'	6
PTS-69-34'	8	136	12	13'	6
PTS-69-39'	8	150	12	14'	6