

JPHV OUTLET BOX

FOR USE WITH OUTLET CONTROL SYSTEM

MANHOLE COMPONENTS CONFORM TO CURRENT SPECIFICATION ASTM C-478 AND AASHTO NO. M199-93.

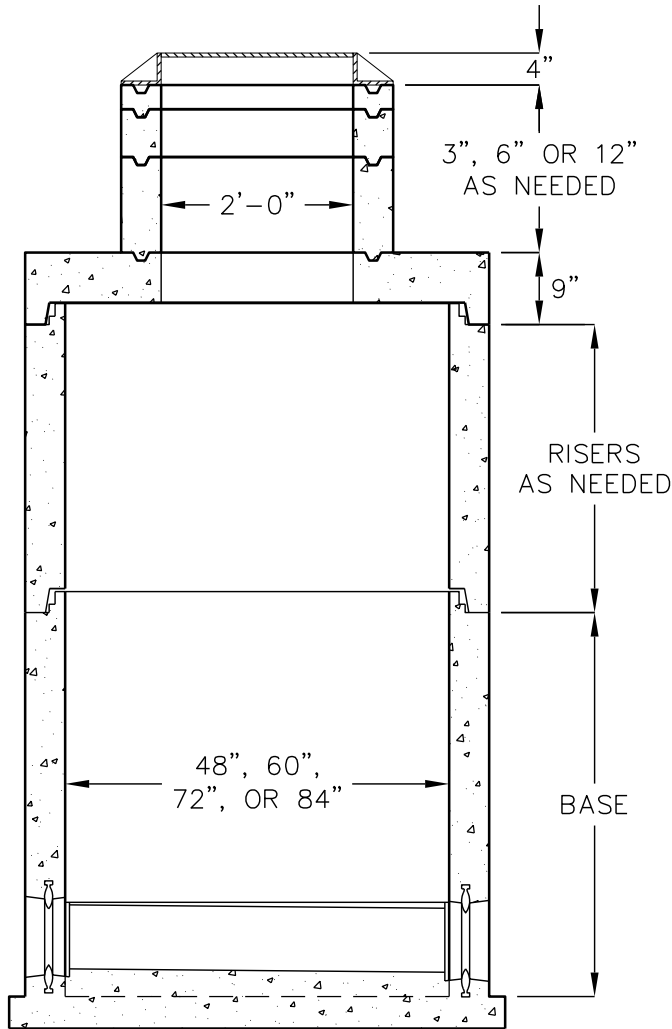
A-LOK GASKETS CONFORM TO ASTM C-923.

EXAMPLE SHOWN: 48"Ø 3 WAY WITH 8" AND 4" PIPES.

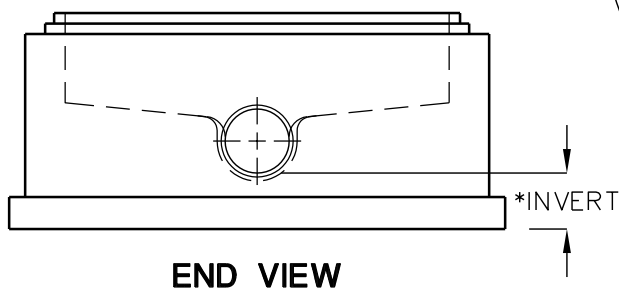
POSSIBLE VARIATIONS:

1. PIPE SIZE
2. ANGLE OF PIPES
3. ELEVATION OF PIPES
4. DIAMETER OF MANHOLE
5. PIPE TO MANHOLE CONNECTOR
6. STACK HEIGHT

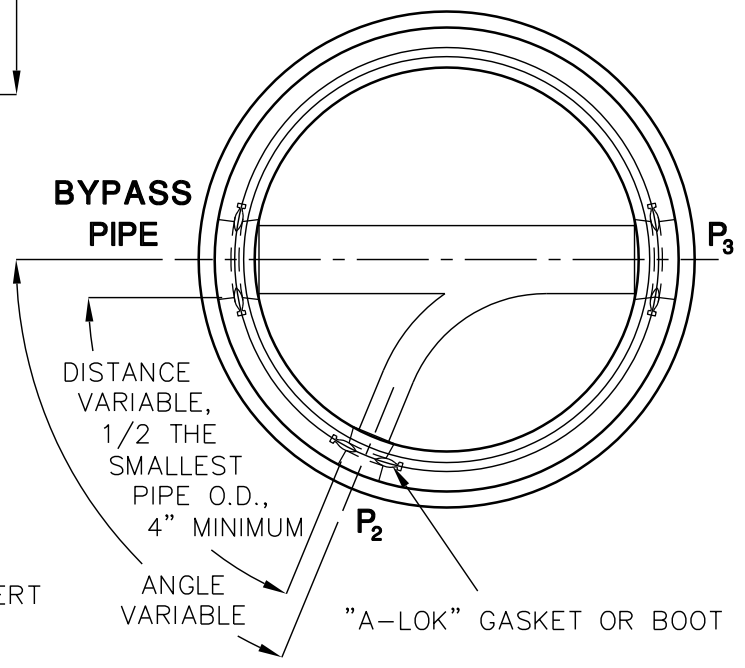
*DIMENSION VARIES DEPENDING UPON SIZE OF PIPE USED.



SIDE VIEW



END VIEW



FOR COMPLETE DESIGN AND PRODUCT INFORMATION, CONTACT JENSEN PRECAST.