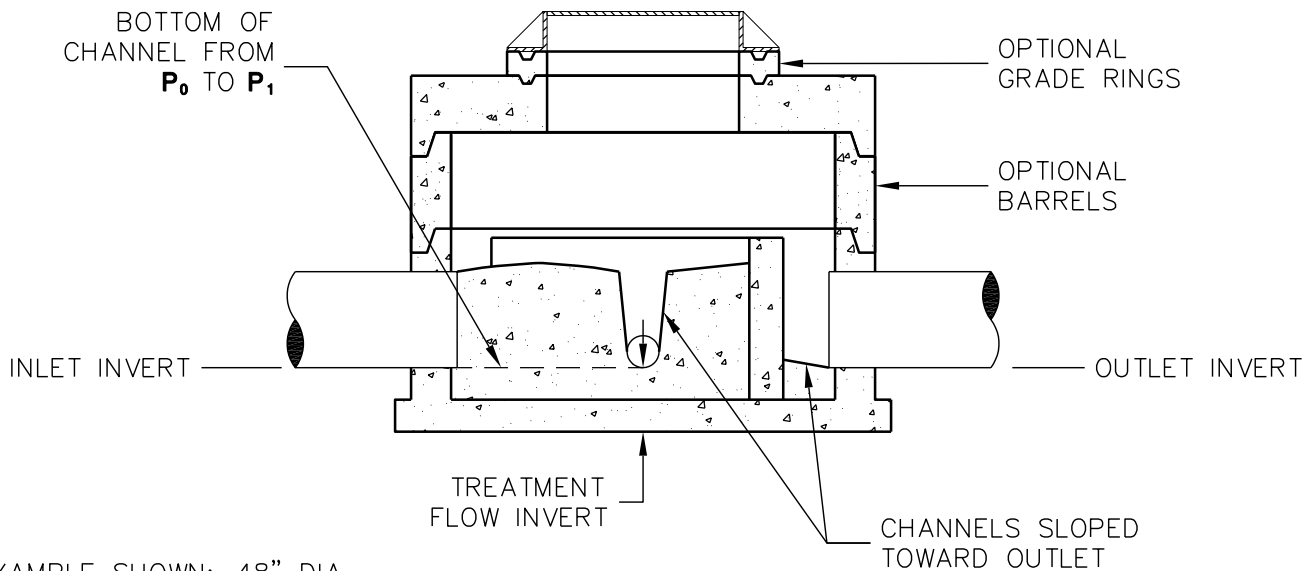
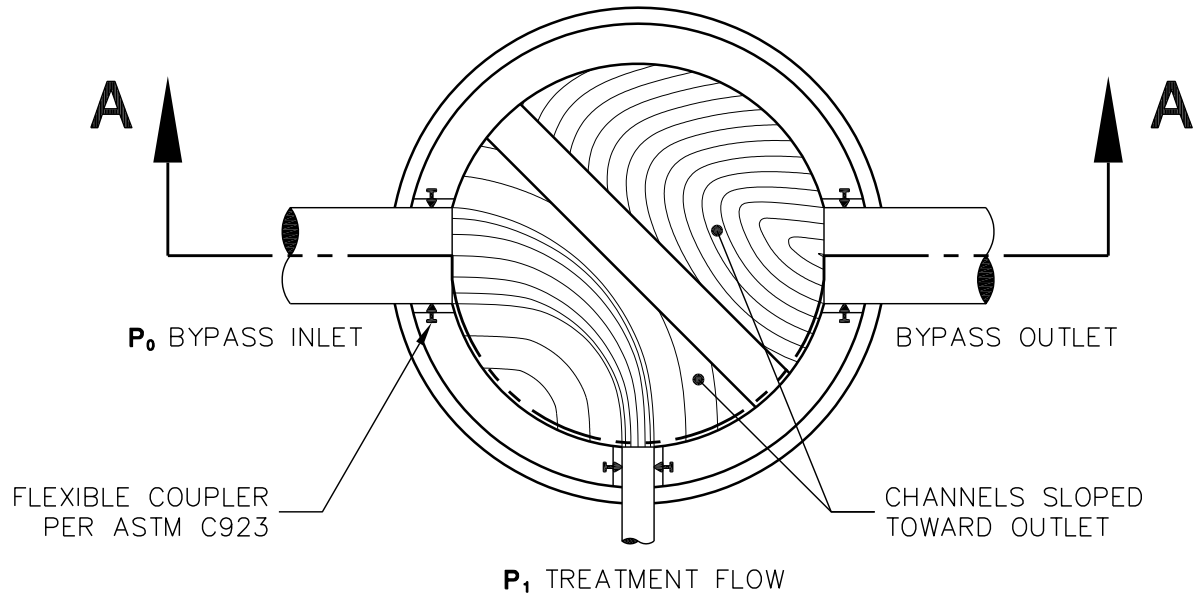


# BYPASS MANHOLE FOR USE WITH OUTLET CONTROL SYSTEM

48", 60", 72", OR 84" DIA.



EXAMPLE SHOWN: 48" DIA.

## SECTION A-A

PIPES SHOWN FOR ILLUSTRATION PURPOSES ONLY AND ARE NOT SUPPLIED.

FOR COMPLETE DESIGN AND PRODUCT INFORMATION CONTACT JENSEN PRECAST.

DESIGN LOAD: H-20 TRAFFIC  
CONFORMS TO ASTM C478