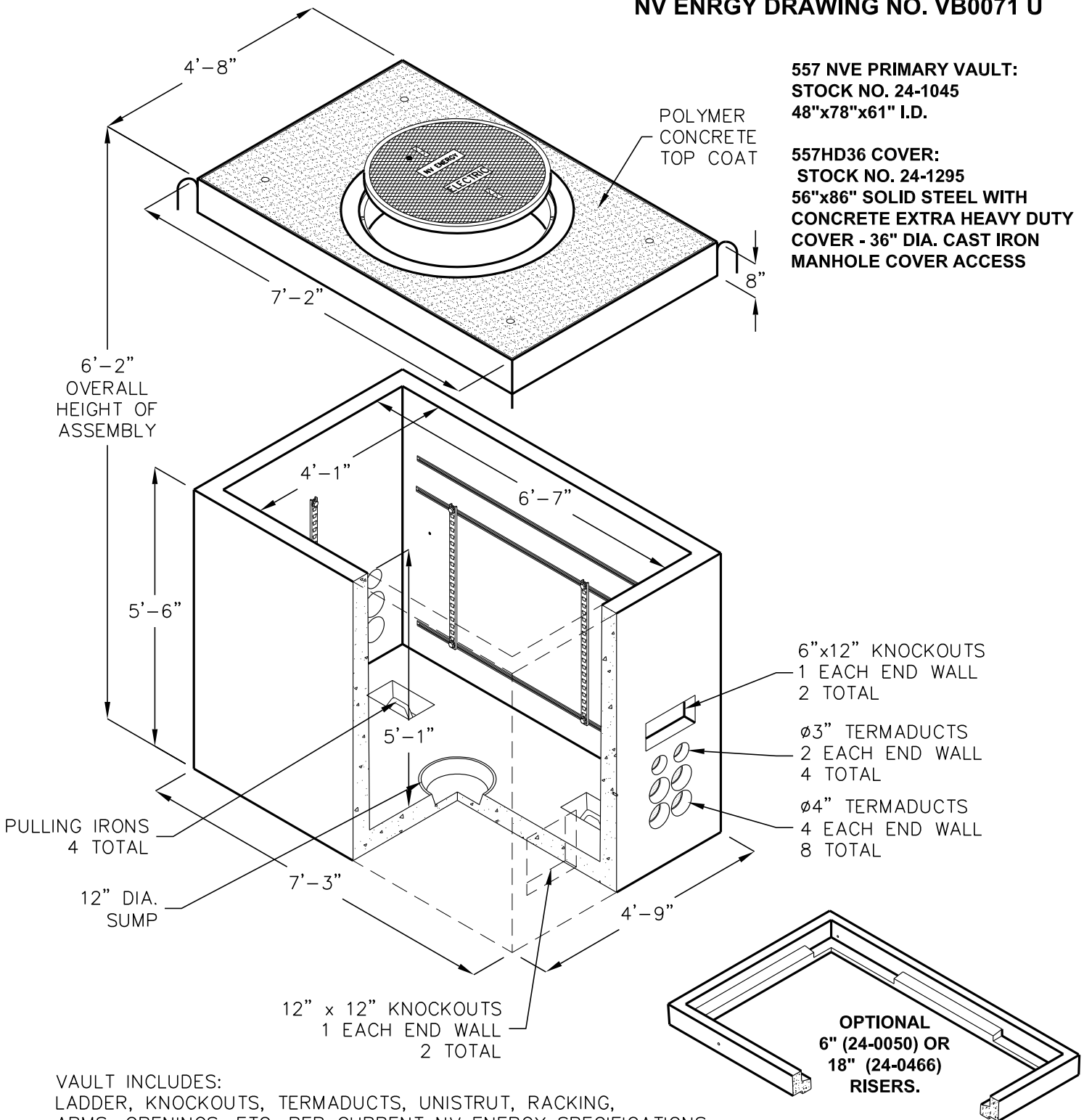




557 NVE WITH COVER B

NV ENRGY DRAWING NO. VB0071 U



VAULT INCLUDES:
 LADDER, KNOCKOUTS, TERMADUCTS, UNISTRUT, RACKING,
 ARMS, OPENINGS, ETC. PER CURRENT NV ENERGY SPECIFICATIONS.

DESIGN LOAD: H-20 FULL TRAFFIC

FOR COMPLETE DESIGN AND PRODUCT INFORMATION CONTACT JENSEN PRECAST.

Jensen Precast reserves the right to make changes to product design and/or dimensions without notice. Please contact Jensen Precast whenever necessary for confirmation or advice on product design.

