

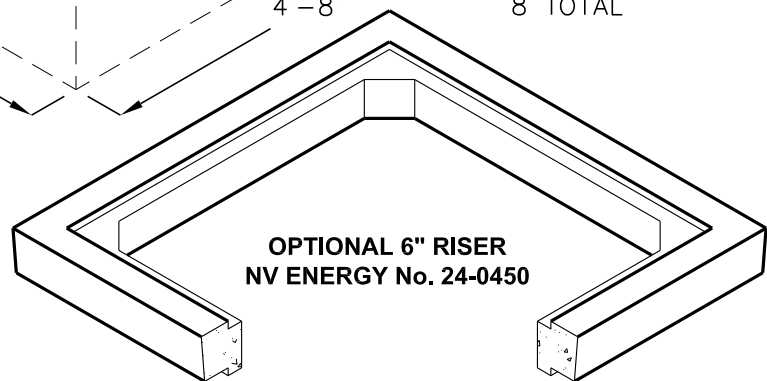
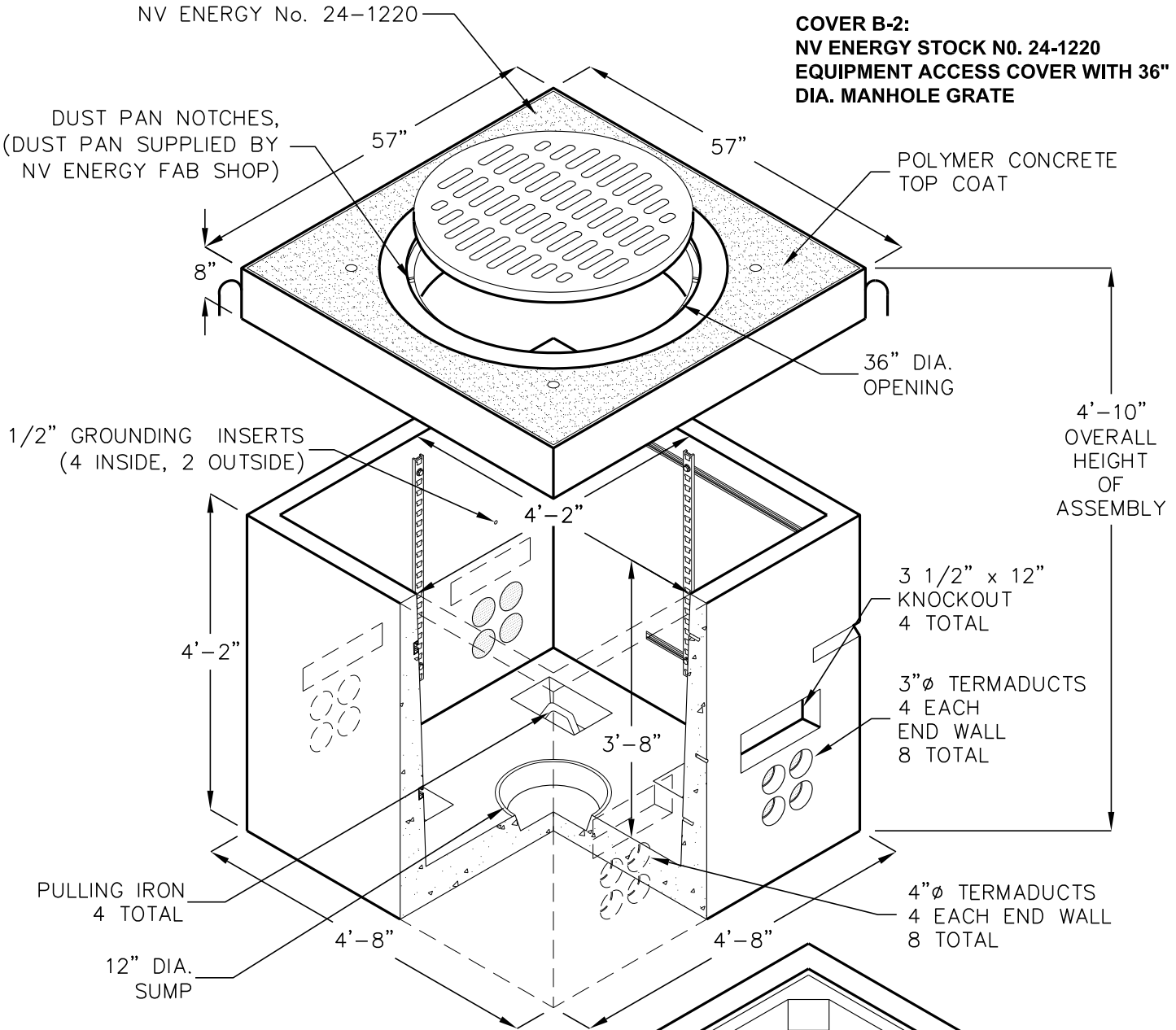


# 504 NVE WITH COVER B2

NV ENERGY DRAWING NO. VB0065 U

504 NVE VAULT STOCK NO. 24-0070

**COVER B-2:**  
NV ENERGY STOCK NO. 24-1220  
EQUIPMENT ACCESS COVER WITH 36"  
DIA. MANHOLE GRATE



DESIGN LOAD: H-20 TRAFFIC.

KNOCKOUTS, UNISTRUT, RACKING, ARMS, TERMAUCTS, ETC. PER CURRENT NV ENERGY SPECIFICATIONS.

FOR COMPLETE DESIGN AND PRODUCT INFORMATION CONTACT JENSEN PRECAST.

Jensen Precast reserves the right to make changes to product design and/or dimensions without notice. Please contact Jensen Precast whenever necessary for confirmation or advice on product design.

