

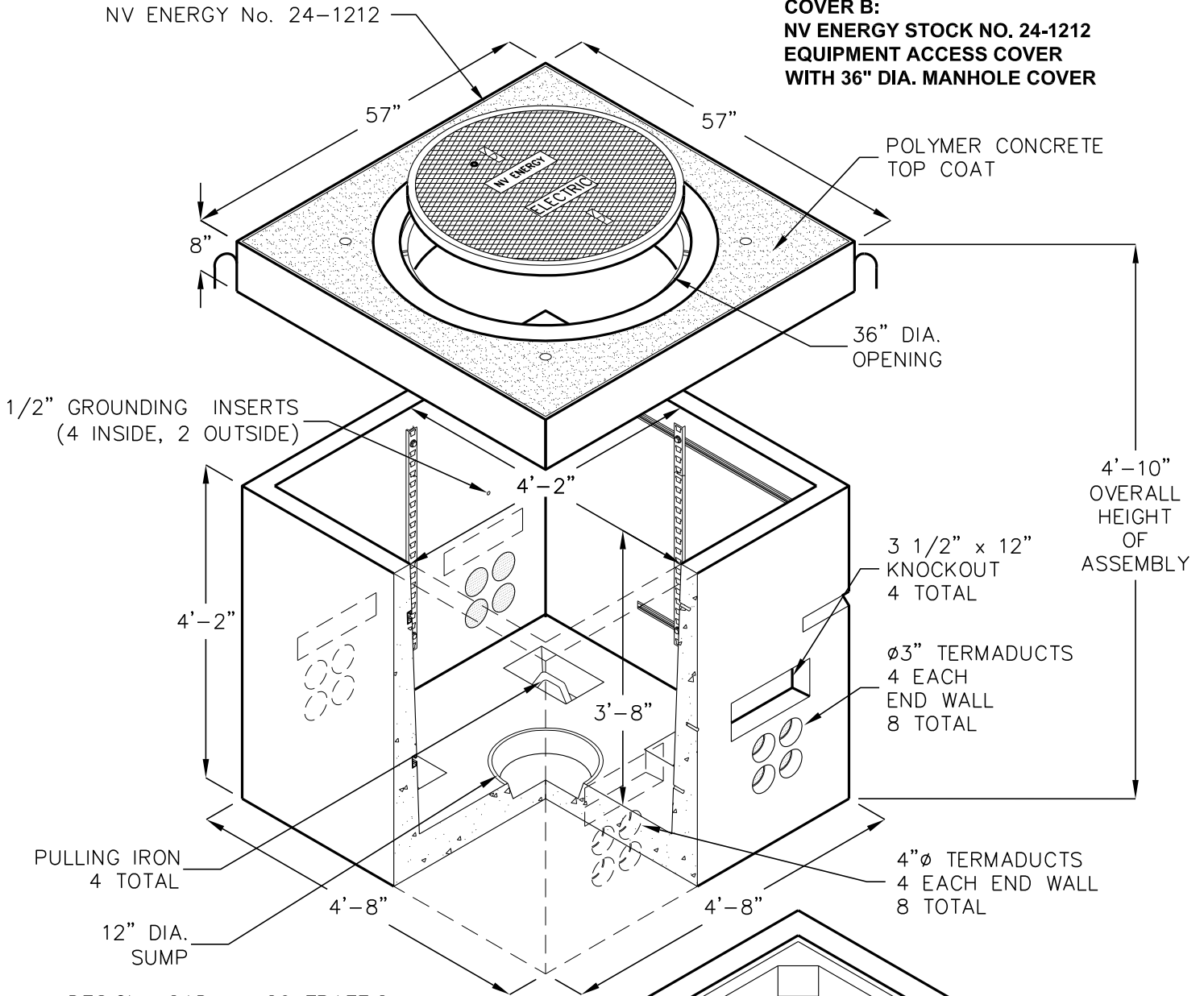


504 NVE WITH COVER B

NV ENERGY DRAWING NO. VB0065 U

504 NVE VAULT STOCK NO. 24-0070

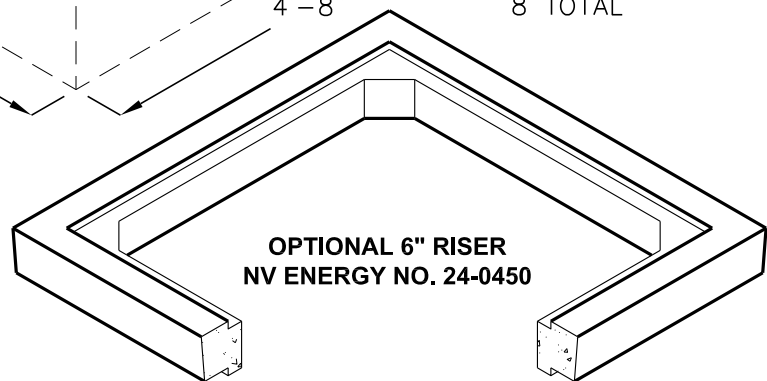
COVER B:
NV ENERGY STOCK NO. 24-1212
EQUIPMENT ACCESS COVER
WITH 36" DIA. MANHOLE COVER



DESIGN LOAD: H-20 TRAFFIC.

KNOCKOUTS, UNISTRUT, RACKING, ARMS, TERMADUCTS, ETC. PER CURRENT NV ENERGY SPECIFICATIONS.

FOR COMPLETE DESIGN AND PRODUCT INFORMATION CONTACT JENSEN PRECAST.



Jensen Precast reserves the right to make changes to product design and/or dimensions without notice. Please contact Jensen Precast whenever necessary for confirmation or advice on product design.

