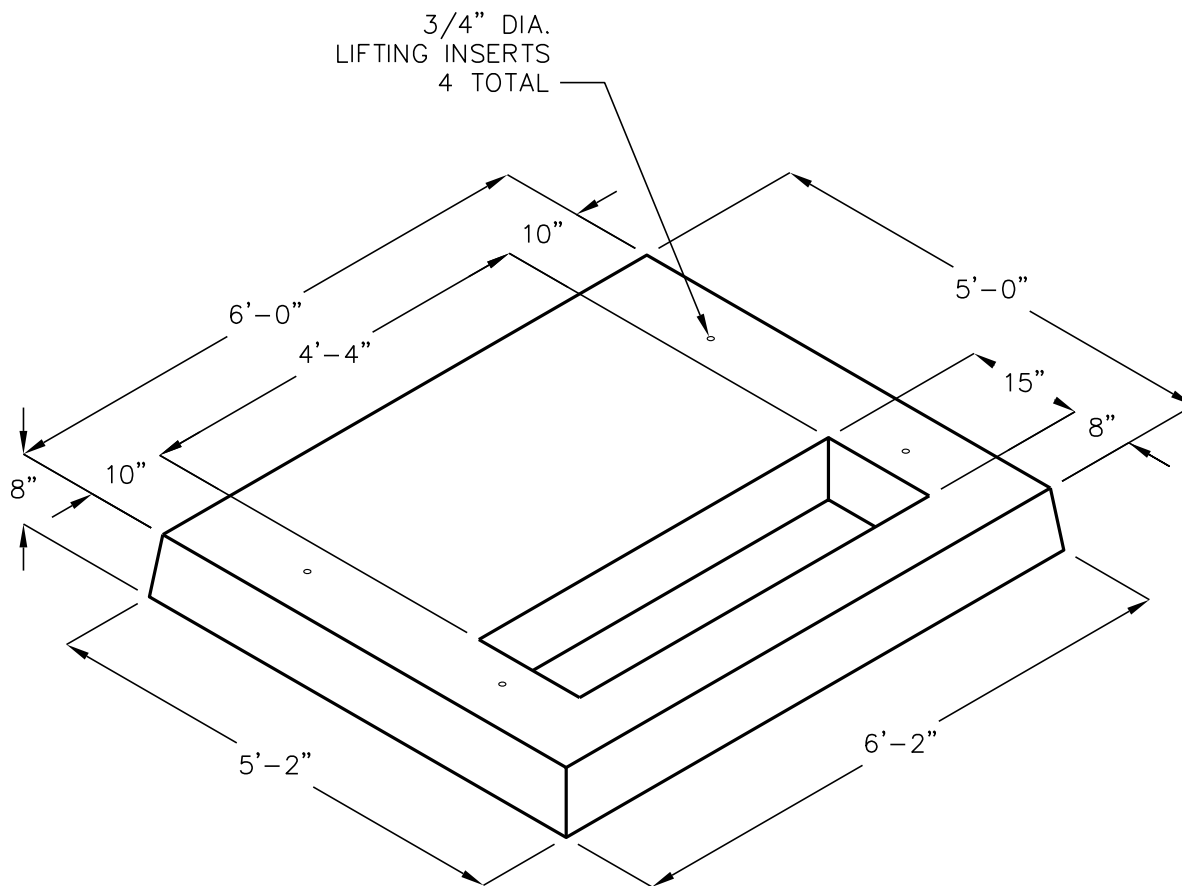


TRANSFORMER PAD MODEL 75/500

MEETS NV ENERGY SPECS.
DRAWING NO. PE0003 U
STOCK NO. 24-0694



FOR COMPLETE DESIGN AND PRODUCT INFORMATION CONTACT JENSEN PRECAST.

Jensen Precast reserves the right to make changes to product design and/or dimensions without notice. Please contact Jensen Precast whenever necessary for confirmation or advice on product design.



JENSEN
PRECAST