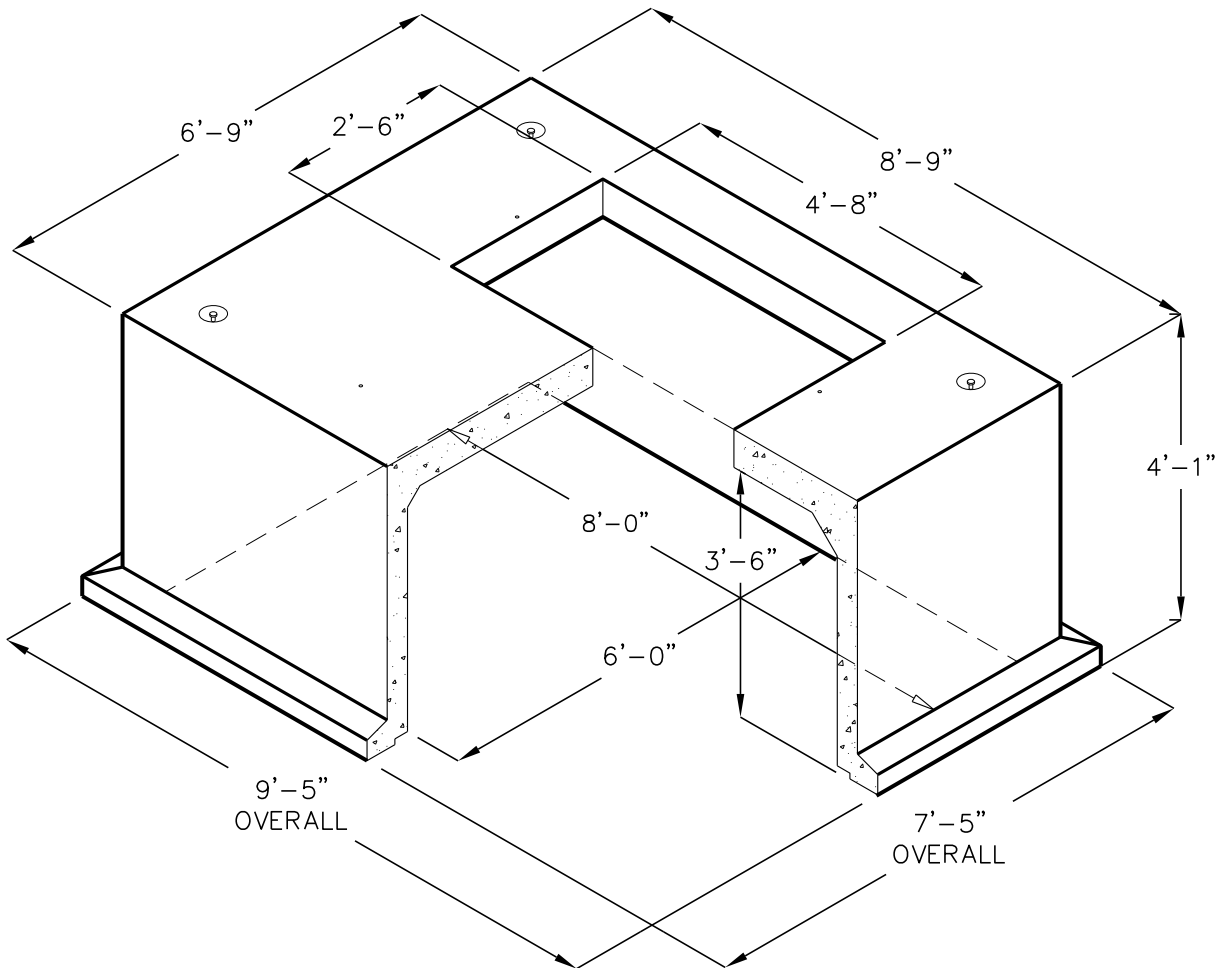


METERING PAD VAULT MODEL 23-U

MEETS NV ENERGY SPECS.
DRAWING NO. PE0023 U
STOCK NO. 24-0731



FOR COMPLETE DESIGN AND PRODUCT INFORMATION CONTACT JENSEN PRECAST.