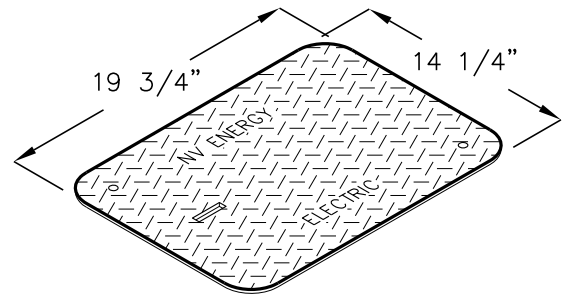
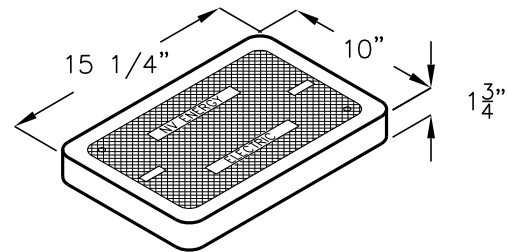
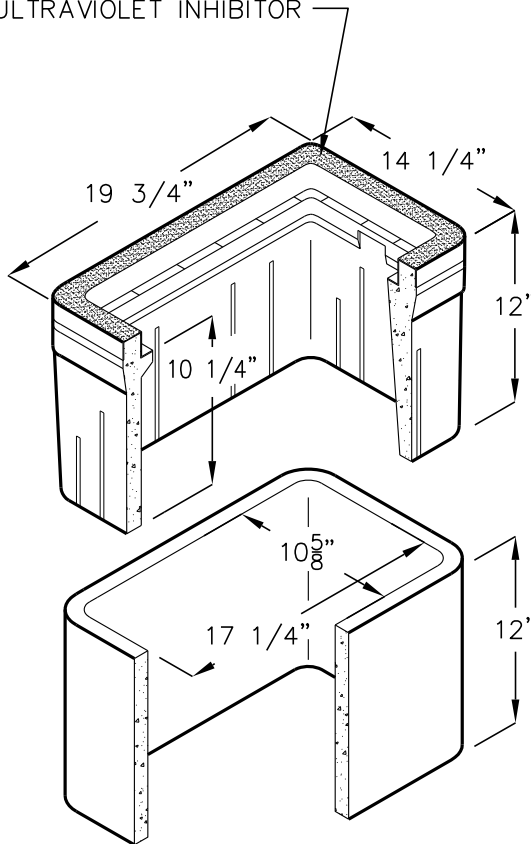


N9 ELECTRICAL HANDHOLE

10-5/8"x17-1/4"x10-1/4"
(NOMINAL INSIDE DIMENSIONS)

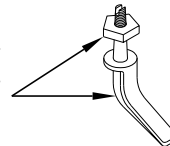
MEETS NV ENERGY SPECS.
DRAWING NO. VB0050 U
STOCK NUMBERS:
24-0020 (BOX)
24-0470 (EXTENSION)
24-1182 (CONCRETE LID)
24-1180 (STEEL COVER)

- ETCHED POLYETHYLENE FACE
- FACE ANCHORED IN CONCRETE
- ULTRAVIOLET INHIBITOR



A HIGH DENSITY REINFORCED CONCRETE PULL AND JUNCTION BOX WITH END AND SIDE KNOCKOUTS. NON-SETTLING SHOULDERS MAINTAIN AND FACILITATE BACKFILLING.

HOLD DOWN CLEAT
W\PENTA HEAD NUT



NV ENERGY NUMBER	CATALOG NUMBER	PRODUCT	DESCRIPTION
24-0020	N9	BOX	REINFORCED CONCRETE (NON-TRAFFIC)
24-1182	N9D	LID	REINFORCED CONCRETE (NON-TRAFFIC)
24-1180	N9-61J	COVER	STEEL CHECKER PLATE
24-0470	N9X12	EXTENSION	12" HIGH REINFORCED CONCRETE
CYHDBBR & CYHDNUTPH		HOLD DOWN CLEAT	HOLD DOWN CLEAT AND PENTA HEAD NUT (2 EA.)

Jensen Precast reserves the right to make changes to product design and/or dimensions without notice. Please contact Jensen Precast whenever necessary for confirmation or advice on product design.