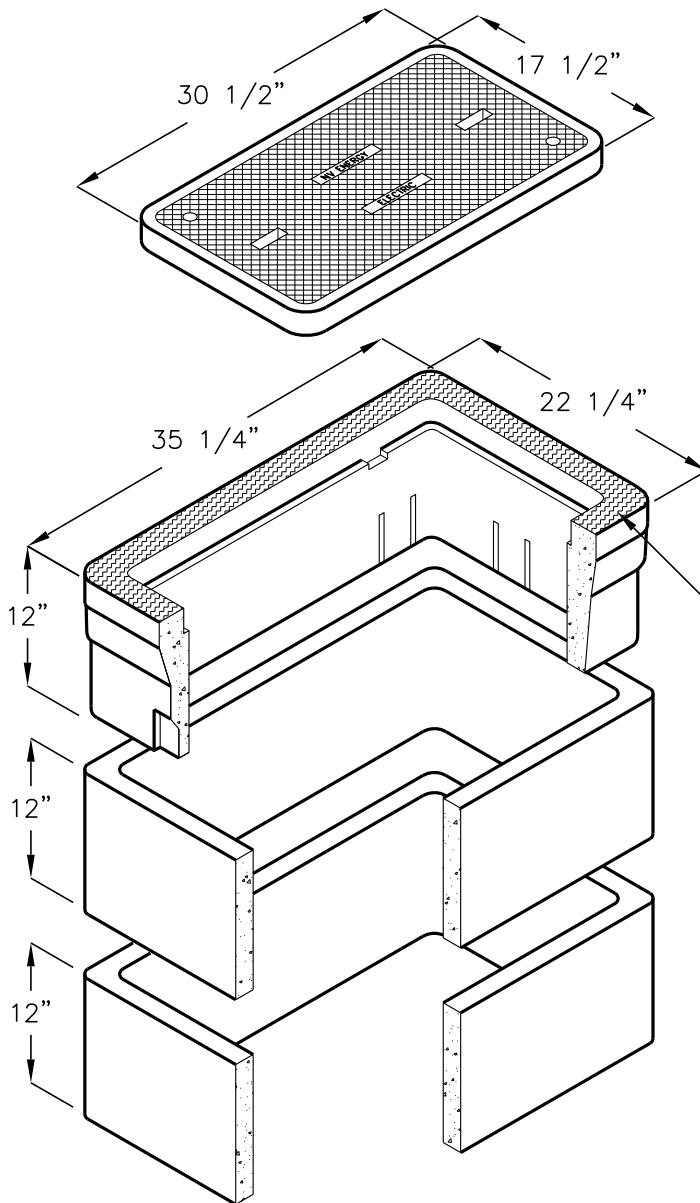


N36 ELECTRICAL HANDHOLE

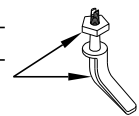
17-1/4"x30"x10"
(NOMINAL INSIDE DIMENSIONS)

MEETS NV ENERGY SPECS.
DRAWING NO. VB0056 U
STOCK NUMBERS:
24-0030 (BOX)
24-0480 (EXTENSION)
24-1177 (LID A)



- ETCHED POLYETHYLENE FACE
- FACE ANCHORED IN CONCRETE
- ULTRAVIOLET INHIBITOR

HOLD DOWN CLEAT
W\PENTA HEAD NUT



NV ENERGY NUMBER	CATALOG NUMBER	PRODUCT	DESCRIPTION
24-0030	N36	BOX	REINFORCED CONCRETE (NON-TRAFFIC)
24-1177	FL36T	LID A	FIBERLYTE LID
24-0480	N36X12	EXTENSION	12" HIGH REINFORCED CONCRETE
CYHDBBR & CYHDNUTPH		HOLD DOWN CLEAT	HOLD DOWN CLEAT AND PENTA HEAD NUT (2 EA.)

Jensen Precast reserves the right to make changes to product design and/or dimensions without notice. Please contact Jensen Precast whenever necessary for confirmation or advice on product design.