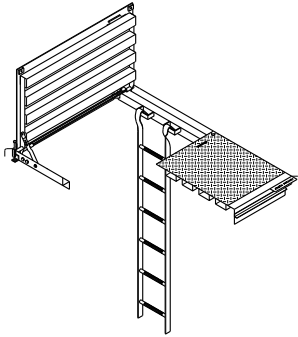
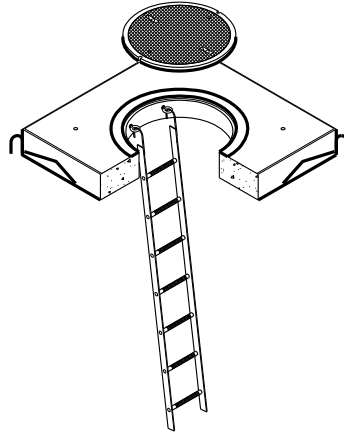


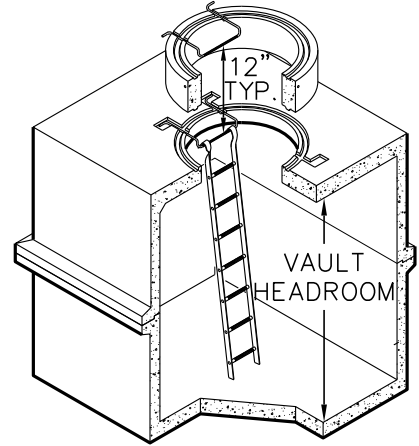
LADDER OPTIONS WITH LADDER-UP



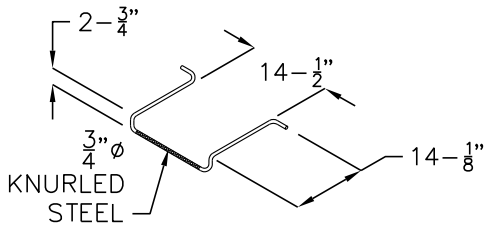
**TYPICAL INSTALLATION
LID A
H-10 RATED TORSION
SPRING ASSISTED COVER**



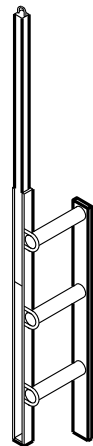
**TYPICAL INSTALLATION
LID B
H-20 FULL LIFT OUT
ACCESS COVERS**



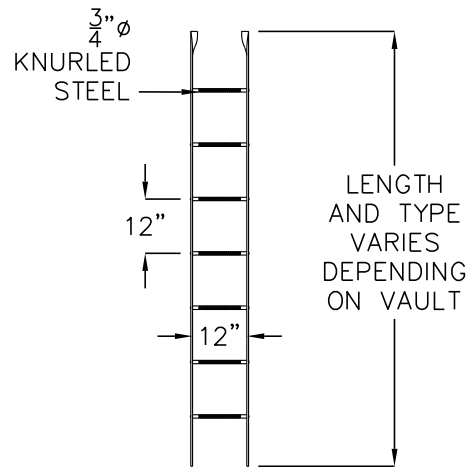
**TYPICAL INSTALLATION
LID B-1
H-20 RATED
3' MANHOLE OPENING**



**STEP RUNG
USED ON LID B-1
(GALVANIZED)**



**LADDER-UP
(CUT AWAY DETAIL)**



**LADDER
(GALVANIZED)**

FOR COMPLETE DESIGN AND PRODUCT INFORMATION CONTACT JENSEN PRECAST.

Jensen Precast reserves the right to make changes to product design and/or dimensions without notice. Please contact Jensen Precast whenever necessary for confirmation or advice on product design.

