

B1730 TRAFFIC BOX

17"x30"

(NOMINAL INSIDE DIMENSIONS)

MEETS NV ENERGY SPECS.

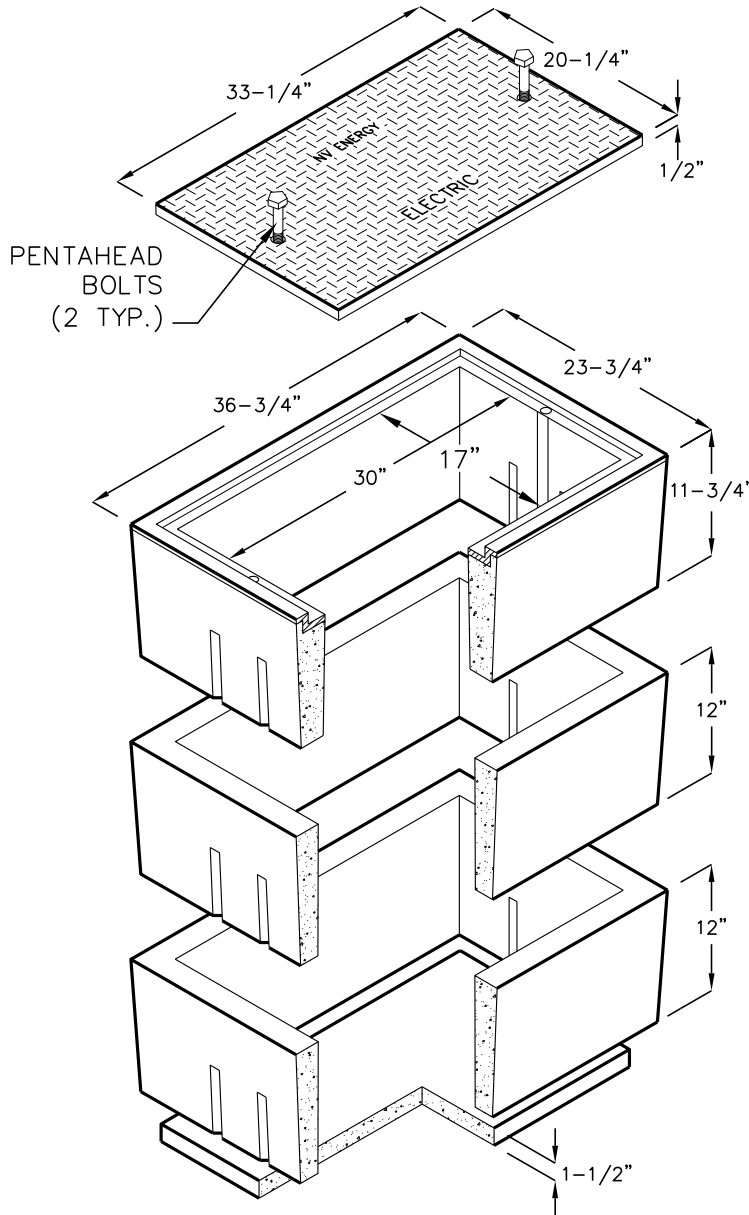
DRAWING NO. VB0057 U

STOCK NUMBERS:

24-0035 (BOX W/SLAB)

24-0485 (EXTENSION)

24-1186 (LID)



NV ENERGY NUMBER	CATALOG NUMBER	PRODUCT	DESCRIPTION
24-0035	B-1730 BOX WITH B36SL	BOX WITH SLAB	REINFORCED CONCRETE
24-1186	B-1730-51JH	COVER	STEEL CHECKER PLATE
24-0485	B-1730EXT	EXTENSION	12" HIGH REINFORCED CONCRETE
	CYHDB1730	HOLD DOWN BOLT	HOLD DOWN PENTAHEAD BOLT (2 EA.)

Jensen Precast reserves the right to make changes to product design and/or dimensions without notice. Please contact Jensen Precast whenever necessary for confirmation or advice on product design.