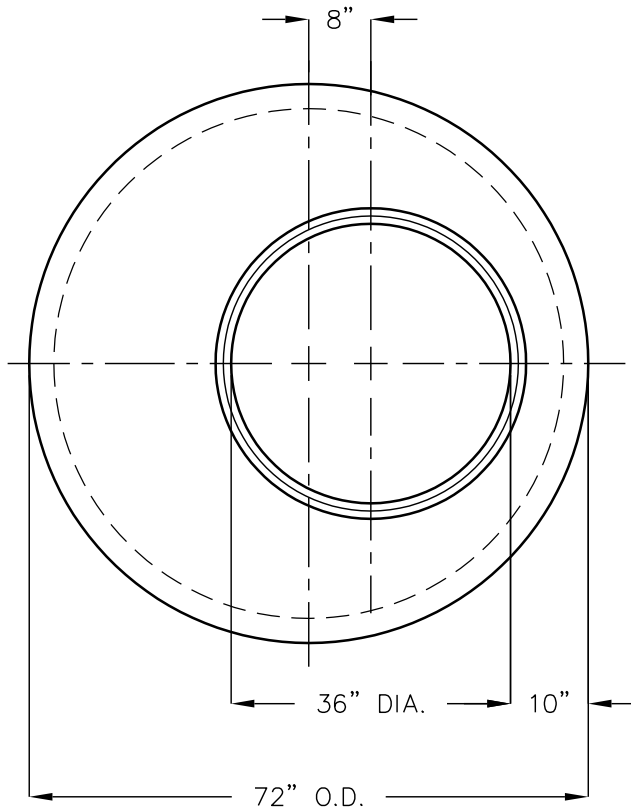
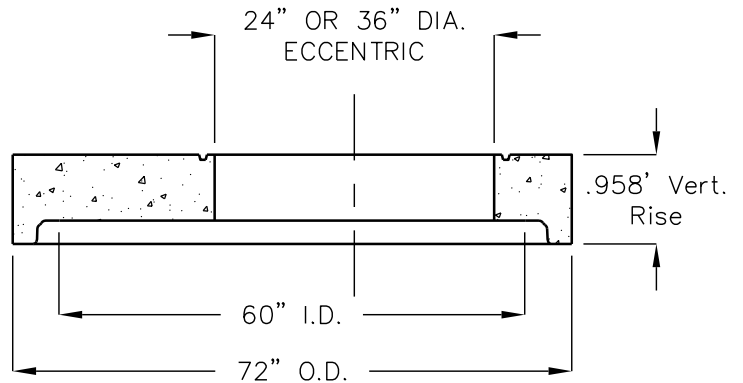


60" I.D. x 6" WALL FLAT TOP WITH ECCENTRIC ACCESS OPENING

(36" ACCESS OPENING SHOWN)



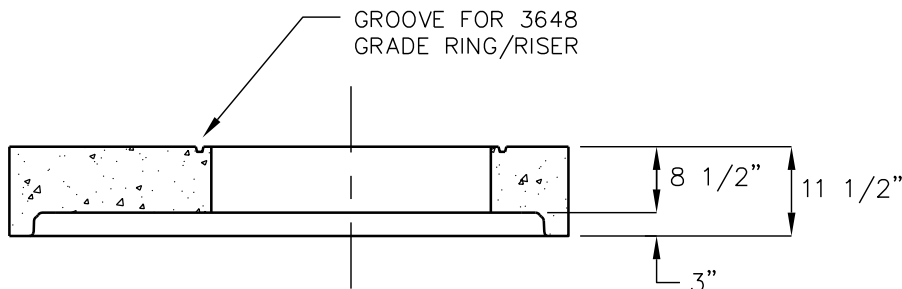
TOP VIEW



SIDE SECTION VIEW

	APPROX. WT.
6072FT-24E ECC FLAT TOP	3088 LBS.
6072FT-36E ECC FLAT TOP	2614 LBS.

CONFORMS TO ASTM SPECS C-478
and AASHTO No. M199.



SIDE SECTION VIEW

FLAT TOPS AND BASE SLABS
ARE DESIGNED FOR AASHTO
HS-20 WHEEL LOADING

FOR COMPLETE DESIGN,
AND PRODUCT INFORMATION
CONTACT JENSEN PRECAST.