

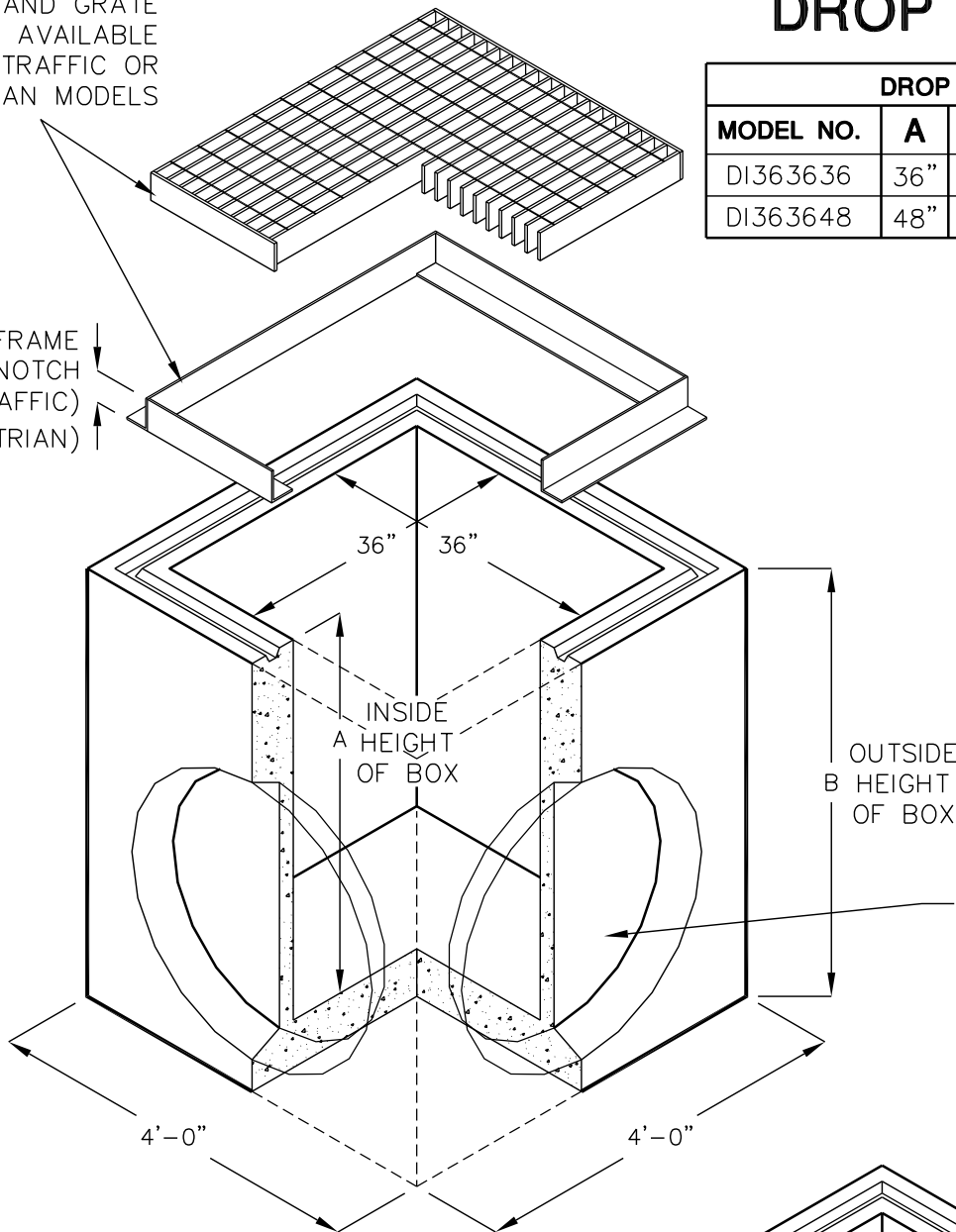
36"x36" DROP INLET

FRAME AND GRATE
ASSEMBLY AVAILABLE
IN TRAFFIC OR
PEDESTRIAN MODELS

DROP INLET			
MODEL NO.	A	B	* WEIGHT
DI363636	36"	42"	3748 LBS.
DI363648	48"	54"	4752 LBS.

*BOX ONLY

LOOSE FRAME
PAVING NOTCH
4" (TRAFFIC)
1½" (PEDESTRIAN)



31" ROUND THIN
WALL KNOCKOUT.
SLEDGE OUT AS
REQUIRED.
(TYP. 4 PLACES)

EXTENSION		
MODEL NO.	C	WEIGHT
RS363606	6"	525 LBS.
RS363612	12"	1050 LBS.

OPTIONAL
EXTENSION
HEIGHT **C**

BOX DESIGN LOAD:
H-20 TRAFFIC

FOR COMPLETE DESIGN,
AND PRODUCT INFORMATION,
CONTACT JENSEN PRECAST.

JENSEN
PRECAST®