

**MEETS REQUIREMENTS FOR
STANDARD DETAILS FOR PUBLIC
WORKS CONSTRUCTION**

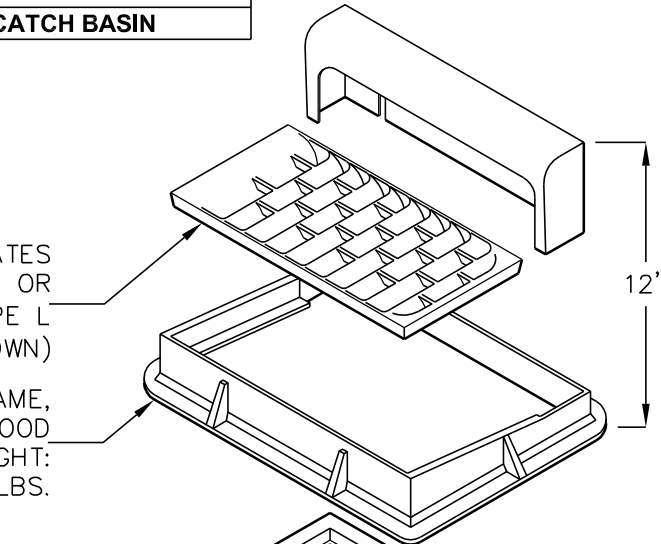
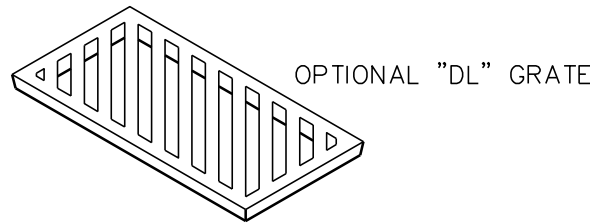
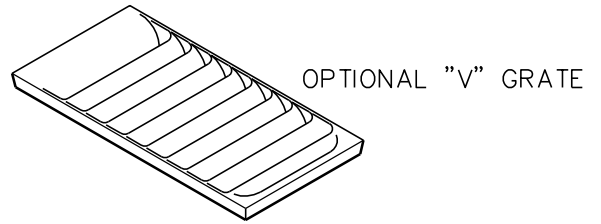
TYPE 4R CATCH BASIN

2436-4R

**24"x36" CURB INLET
WITH CAST IRON FRAME,
GRATE, AND HOOD**

OPTIONAL GRATES
TYPE L, V, DL OR
DR (TYPE L
GRATE SHOWN)

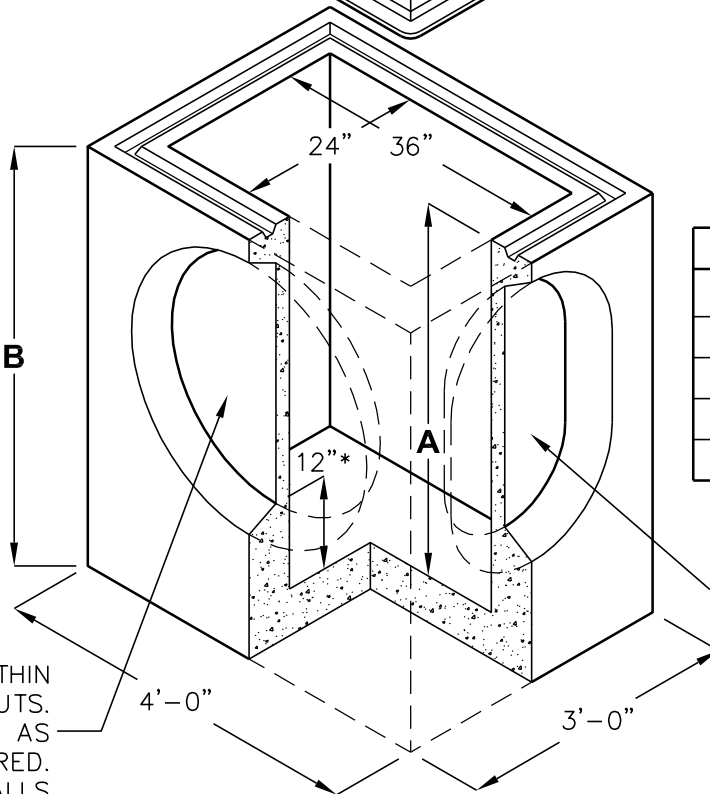
CAST IRON FRAME,
GRATE, AND HOOD
APPROX. WEIGHT:
510 LBS.



UP TO 6'-0" INSIDE DEPTH

DROP INLET			
MODEL NO.	A	B	BOX WEIGHT
DI243636-4R	36"	42"	3080 LBS.
DI243648-4R	48"	54"	3940 LBS.
DI243660-4R	60"	66"	5660 LBS.
DI243672-4R	72"	78"	6510 LBS.

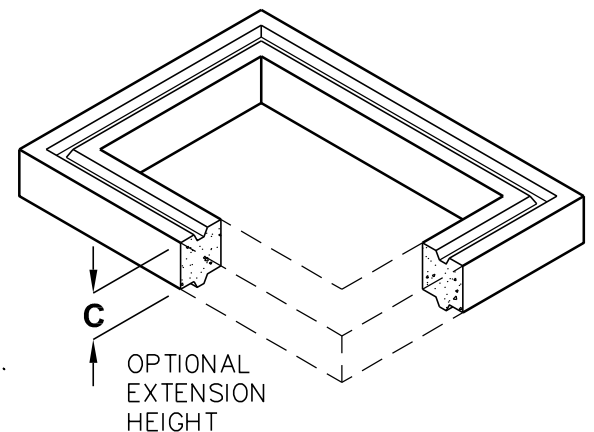
OUTSIDE
HEIGHT
OF BOX



18"x31" THIN WALL KNOCKOUTS.
SLUDGE OUT AS REQUIRED.
BOTH END WALLS.

31" ROUND THIN
WALL KNOCKOUTS.
SLUDGE OUT AS
REQUIRED.
BOTH SIDE WALLS

EXTENSION		
MODEL NO.	C	WEIGHT
RS243606	6"	450 LBS.
RS243612	12"	900 LBS.



* KNOCKOUT FLUSH WITH FLOOR ON 36" INSIDE HEIGHT BOX.
48" INSIDE HEIGHT BOX ILLUSTRATED.

BOX DESIGN LOAD:H-20 TRAFFIC.

FOR COMPLETE DESIGN AND PRODUCT INFORMATION
CONTACT JENSEN PRECAST.

Jensen Precast reserves the right to make changes to product design
and/or dimensions without notice. Please contact Jensen Precast whenever
necessary for confirmation or advice on product design.

