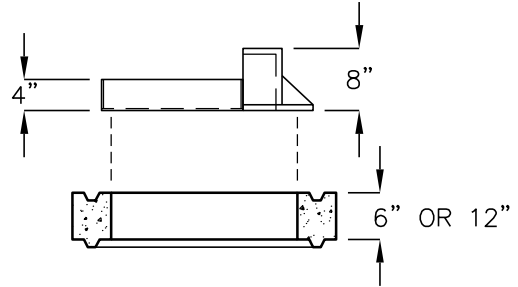
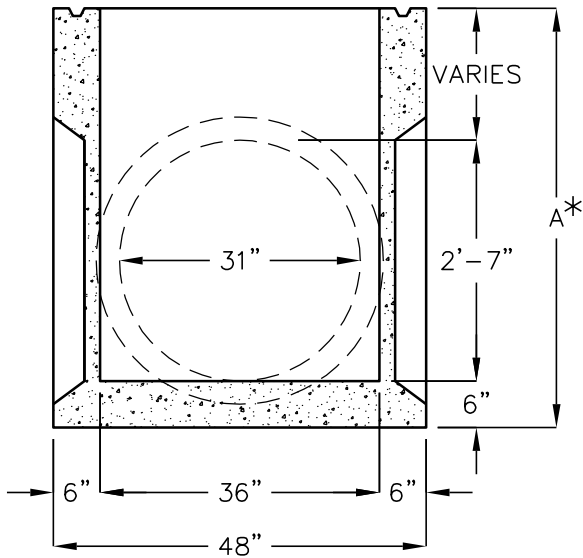


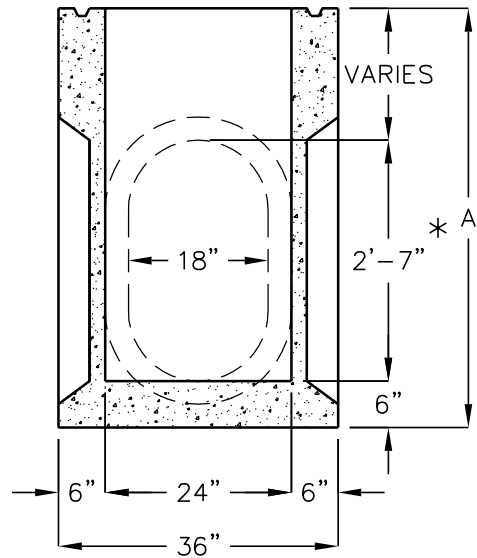
**TOP VIEW-BOX
WITH CAST IRON REMOVED**



**EXTENSION WITH
CAST IRON HOOD, FRAME,
AND GRATE SHOWN**



FRONT VIEW



SIDE VIEW

**SECTION
24"x36" DROP INLET**

*SEE DROP INLET
TABLE ON FRONT