

**MEETS REQUIREMENTS FOR  
STANDARD DETAILS FOR PUBLIC  
WORKS CONSTRUCTION**

**TYPE 1A CATCH BASIN**

# 2436-1A

**24"x36" CURB INLET  
WITH CAST IRON HOOD,  
FABRICATED FRAME & GRATE**

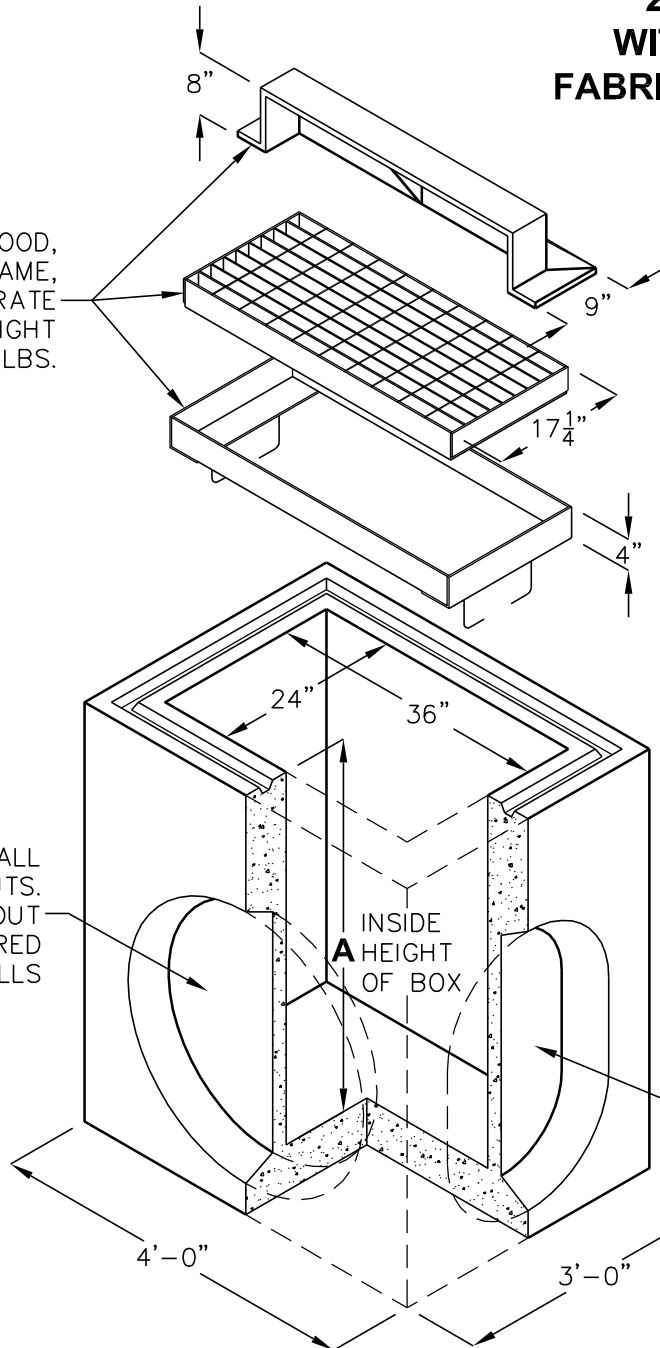
**UP TO 6'-0" INSIDE DEPTH**

CAST IRON HOOD,  
FABRICATED FRAME,  
AND GRATE  
APPROX. WEIGHT  
312 LBS.

DROP INLET			
MODEL NO.	A	B	WEIGHT*
DI243636-1A	36"	42"	3028 LBS.
DI243648-1A	48"	54"	3889 LBS.
DI243660-1A	60"	66"	5611 LBS.
DI243672-1A	72"	78"	6472 LBS.

\* BOX ONLY

31" DIA. THIN WALL  
KNOCKOUTS.  
SLEDGE OUT  
AS REQUIRED  
BOTH SIDE WALLS

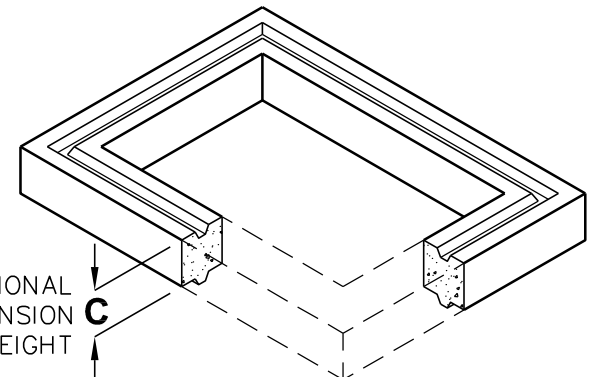


OUTSIDE  
**B**  
HEIGHT  
OF BOX

18"x31"  
THIN WALL KNOCKOUTS  
SLEDGE OUT AS REQUIRED  
BOTH END WALLS

EXTENSION		
MODEL NO.	C	WEIGHT
RS243606	6"	450 LBS.
RS243612	12"	900 LBS.

OPTIONAL  
EXTENSION  
HEIGHT  
**C**



DESIGN LOAD: H-20 FULL TRAFFIC.

FOR COMPLETE DESIGN AND PRODUCT  
INFORMATION CONTACT JENSEN PRECAST.

Jensen Precast reserves the right to make changes to product design  
and/or dimensions without notice. Please contact Jensen Precast whenever  
necessary for confirmation or advice on product design.

