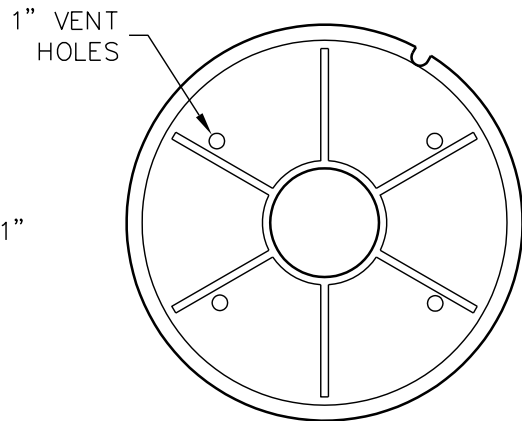
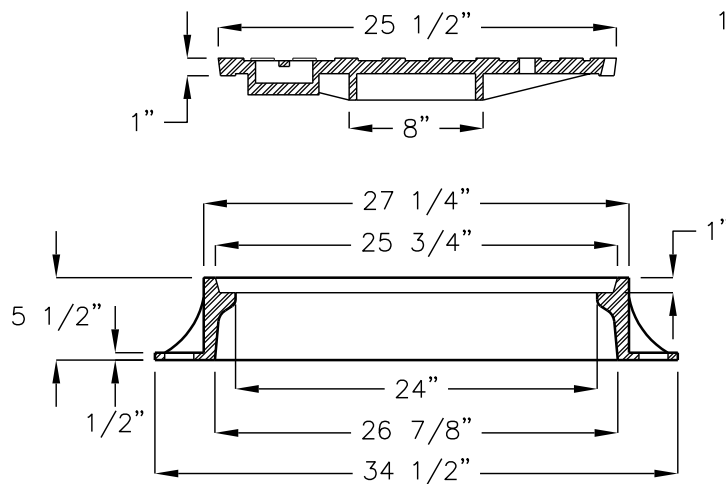
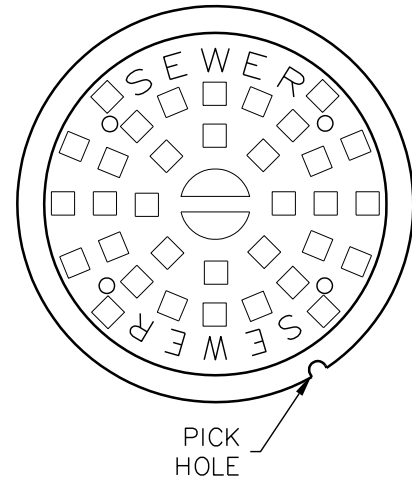
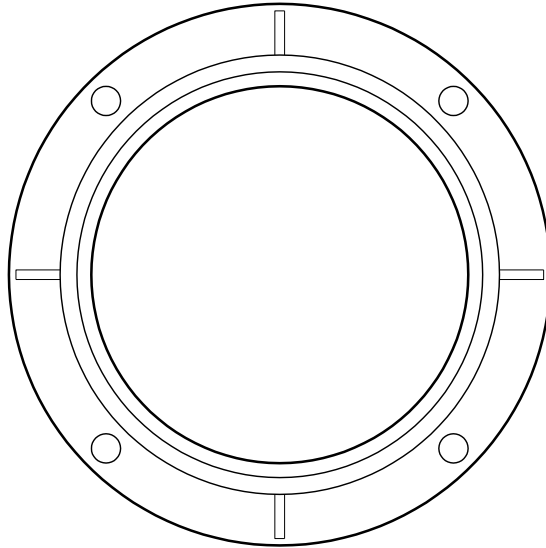


# 1032 SEWER FRAME AND COVER



FOR COMPLETE DESIGN  
AND PRODUCT INFORMATION  
CONTACT JENSEN PRECAST.

CASTINGS MEET AASHTO M306  
H-20 LOADING.  
CASTINGS ARE COATED WITH  
ASPHALTIC BASED PAINT.  
APPROX. WIEGHT: 290 LBS.