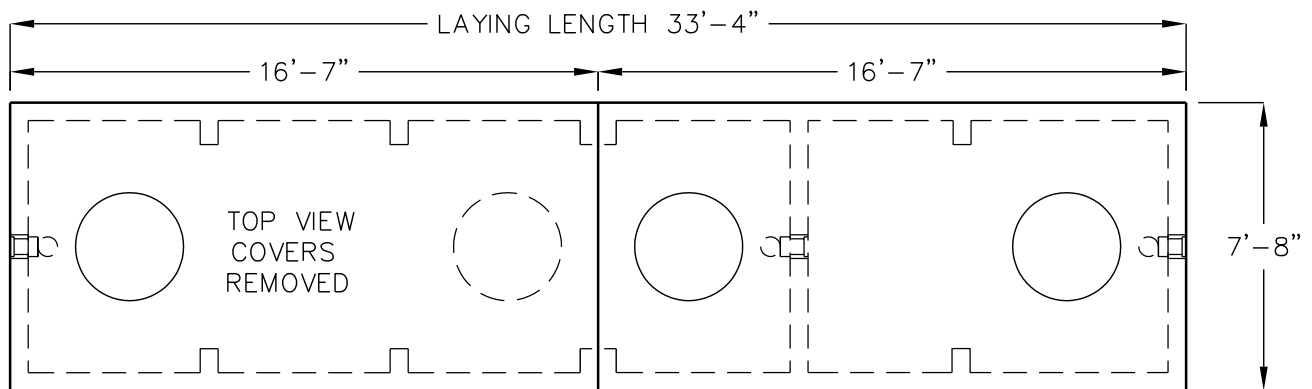
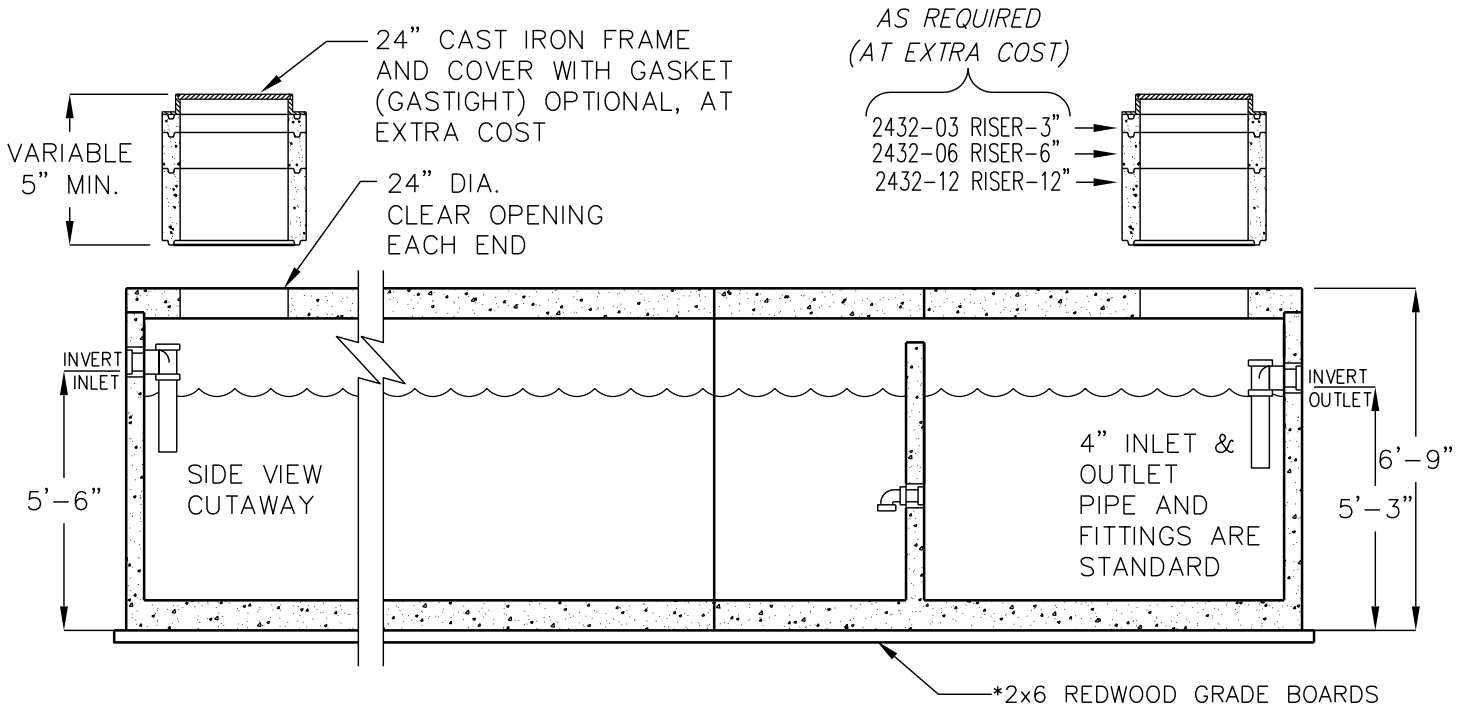


# 8000 GALLON BATTERY SEPTIC TANK

## MODEL 2XJZ4000



○ = RECOMMENDED  
RISER/CAST IRON  
COVER LOCATIONS

○ = OPTIONAL  
RISER/CAST IRON  
COVER LOCATIONS

ASSEMBLY SEQUENCE  
SIDE VIEW

	1 COVER	2 COVER	
INLET	1 BASE	2 BASE	OUTLET

FOR INSTALLATION INSTRUCTIONS,  
DESIGN AND PRODUCT INFORMATION,  
CONTACT JENSEN PRECAST.

LIQUID CAPACITY: 8,000 GALLONS.

BOX DESIGN LOAD: H-20 TRAFFIC FROM  
1' TO 5' OF SOIL COVER.