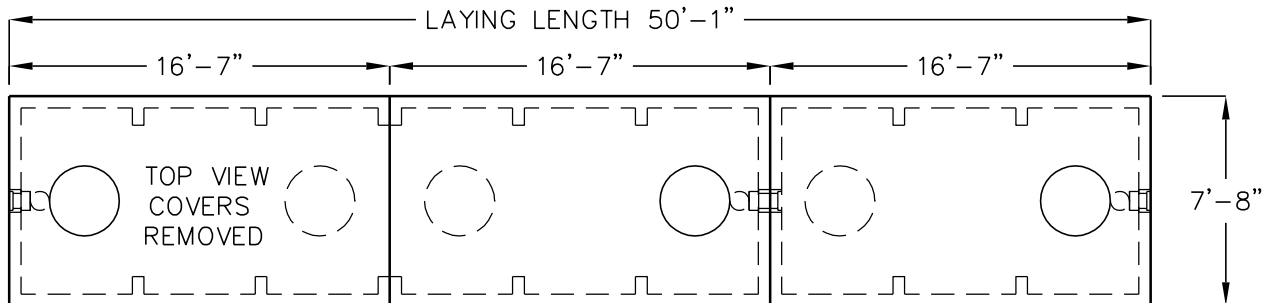
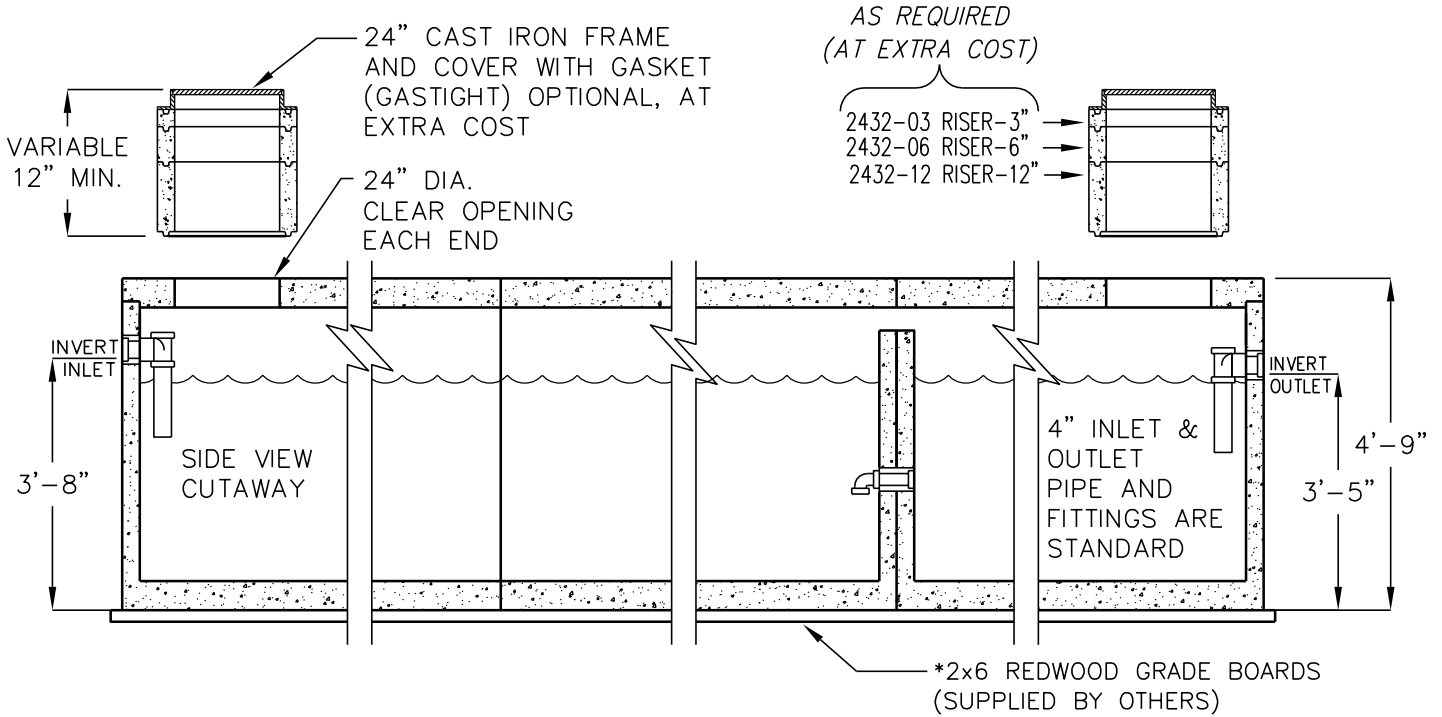
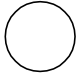



7500 GALLON LOW PROFILE BATTERY SEPTIC TANK

MODEL 3XJP2500



-  = RECOMMENDED RISER/CAST IRON COVER LOCATIONS
-  = OPTIONAL RISER/CAST IRON COVER LOCATIONS

ASSEMBLY SEQUENCE
SIDE VIEW

INLET	1 COVER	2 COVER	3 COVER	OUTLET
	1 BASE	2 BASE	3 BASE	

FOR INSTALLATION INSTRUCTIONS, DESIGN AND PRODUCT INFORMATION, CONTACT JENSEN PRECAST.

LIQUID CAPACITY: 7,500 GALLONS.

BOX DESIGN LOAD: H-20 TRAFFIC FROM 1' TO 5' OF SOIL COVER.