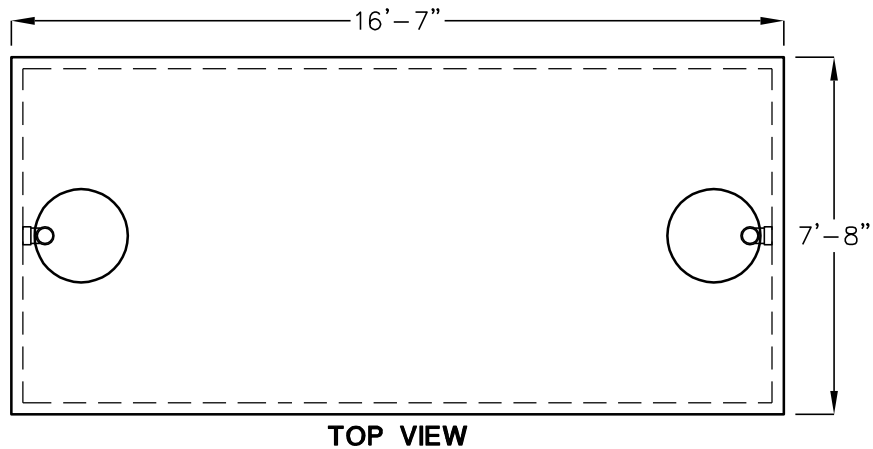
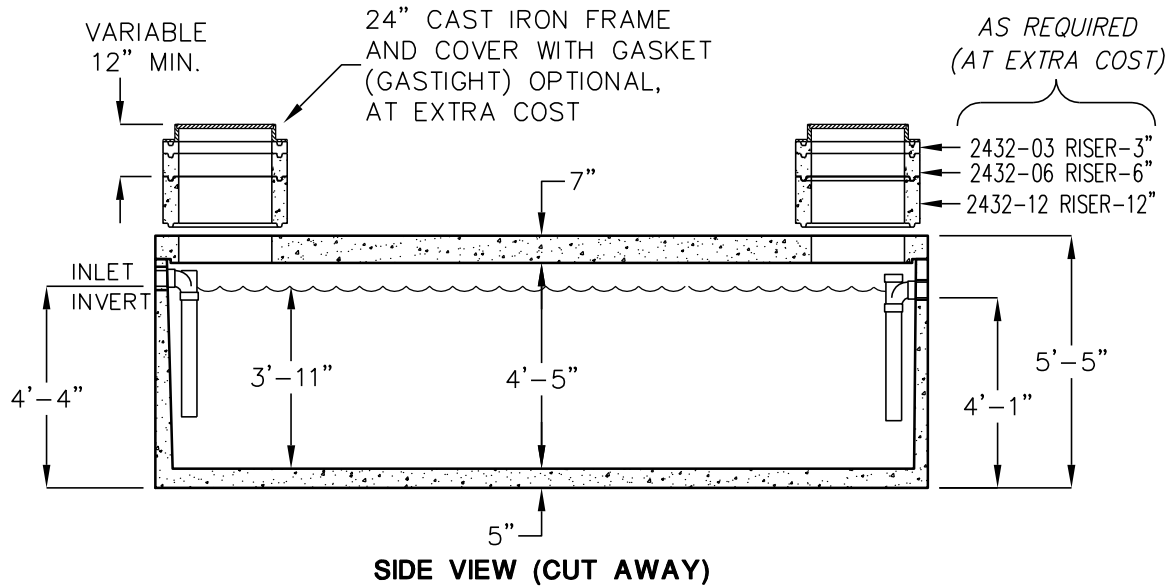


JPU3000 GALLON LOW PROFILE SEPTIC TANK

MODEL JPU3000
TRAFFIC RATED
ACCEPTED BY UPC®



DESIGN LOAD: H-20 TRAFFIC WITH 1' TO 5' EARTH COVER.

WATER TABLE ASSUMED TO BE BELOW BOTTOM OF STRUCTURE.

FOR COMPLETE DESIGN AND PRODUCT INFORMATION CONTACT JENSEN PRECAST.