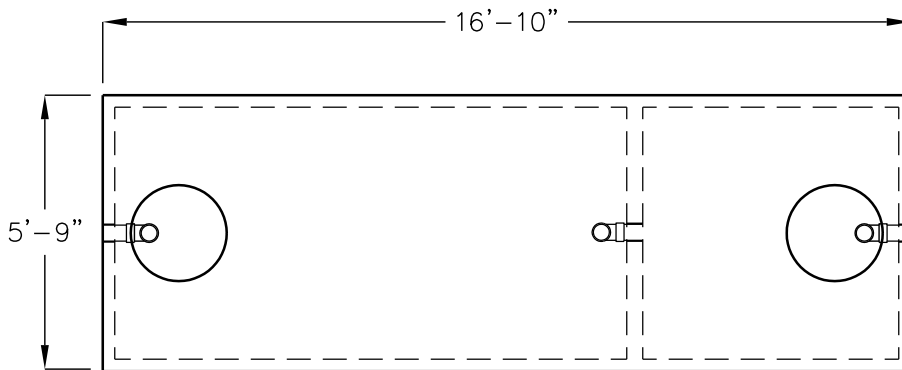
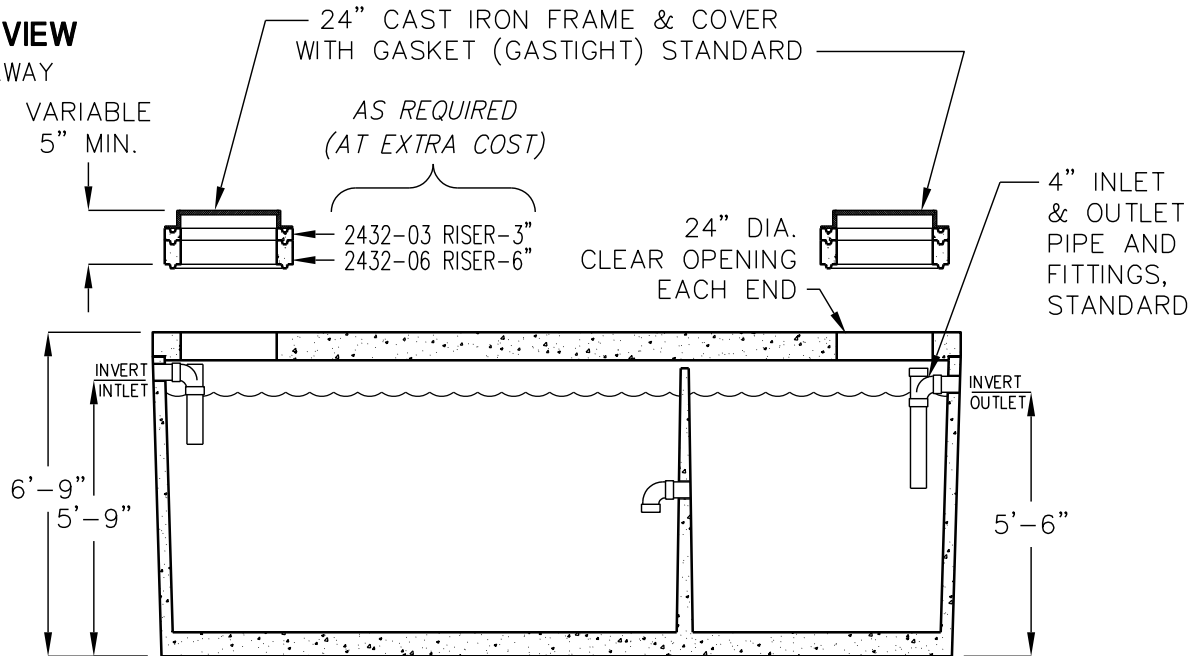


JZ-3000 GALLON COMMERCIAL SEPTIC TANK

**TRAFFIC RATED
ACCEPTED BY UPC®**

**SIDE VIEW
CUTAWAY**



TOP VIEW
(COVERS REMOVED)

LIQUID CAPACITY: 3,000 GALLONS.

BOX DESIGN LOAD: H-20 TRAFFIC FROM
1' TO 5' OF SOIL COVER.

FOR COMPLETE DESIGN AND PRODUCT
INFORMATION CONTACT JENSEN PRECAST.