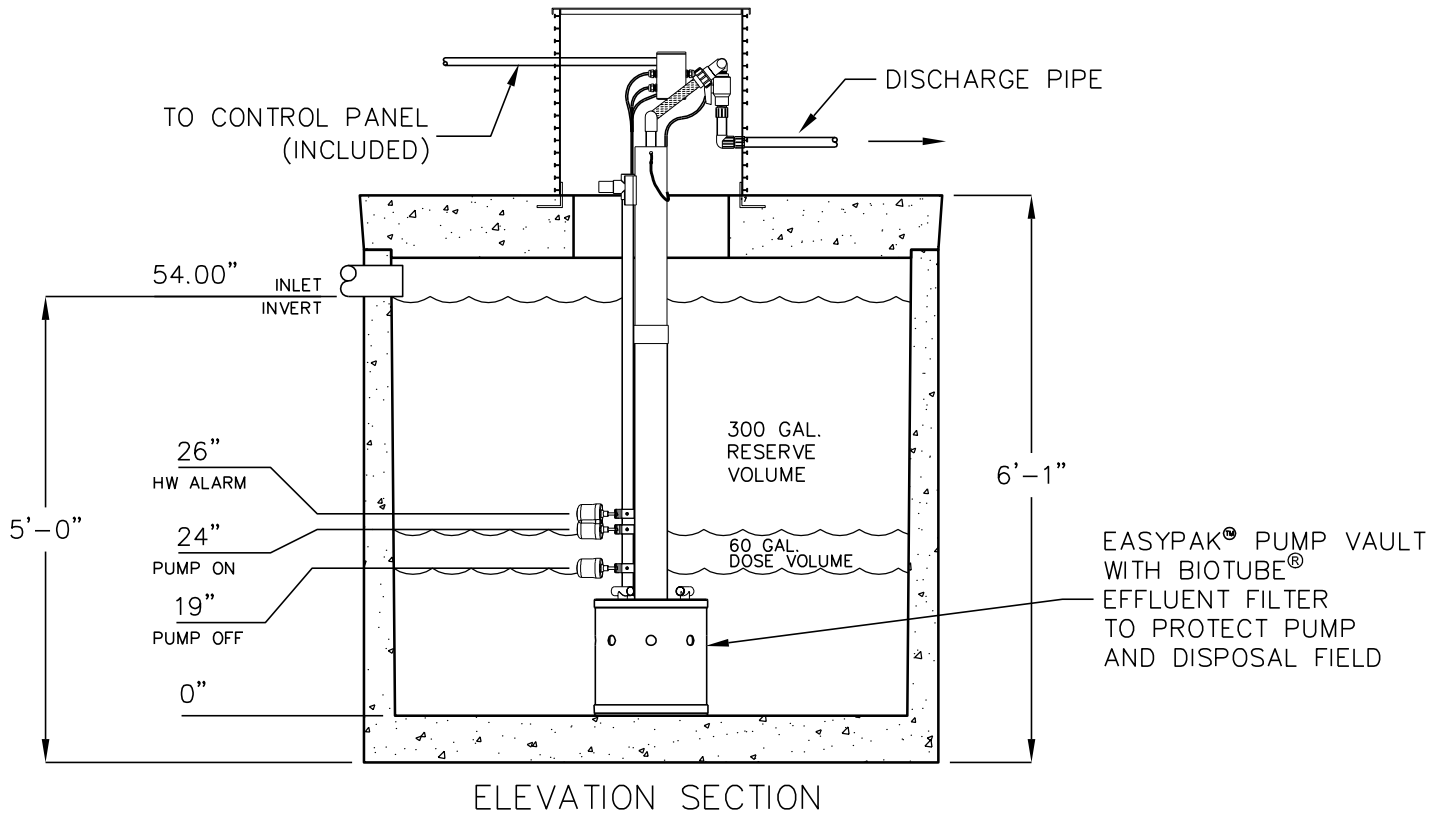


PUMP AND LIFT STATION DEMAND DOSE-RESIDENTIAL

DESIGNED TO MEET MOST RESIDENTIAL DEMAND DOSE APPLICATIONS. CALL JENSEN PRECAST WITH YOUR TRANSPORT PIPE LENGTH, SIZE, AND LIFT TO VERIFY PUMP SELECTION.

300 GPD BIOTUBE® EASYPAK™
PUMP PACKAGE



- 4" TURBINE EFFLUENT PUMP, WITH 5 YEAR WARRANTY, LASTS FOUR TIMES LONGER THAN CENTRIFUGAL PUMPS.
- FLOATS CAN BE EASILY ADJUSTED TO CHANGE DOSE VOLUME.
- SIMPLEX ELECTRO-MECHANICAL CONTROL PANEL WITH AUDIO AND VISUAL ALARM.
- POWER REQUIREMENTS: 120 VOLT, SINGLE PHASE AT 60 HZ.
- 360 GALLON OPERATING CAPACITY. 12 GALLONS PER VERTICAL INCH.
- DESIGN LOAD: NON-TRAFFIC WITH 5 FOOT MAXIMUM SOIL COVER WITH WATER TABLE BELOW BOTTOM OF STRUCTURE. TRAFFIC RATED DESIGNS ARE AVAILABLE.
- FOR COMPLETE DESIGN AND PRODUCT INFORMATION CONTACT JENSEN PRECAST.

MODEL	DISCHARGE	MAX FLOW RATE	DISCHARGE PIPE SIZE
PS620-10DD-1/4FC	STANDARD	10	1.00"
PS620-10DB-1/4FC	DRAIN BACK*	10	1.00"
PS620-10CW-1/4FC	COLD WEATHER	10	1.00"
PS620-10DD	STANDARD	15	1.00"
PS620-10DD-DB	DRAIN BACK*	15	1.00"
PS620-10DD-CW	COLD WEATHER	15	1.00"
PS620-30DD	STANDARD	40	1.25"
PS620-30DD-DB	DRAIN BACK*	40	1.25"
PS620-30DD-CW	COLD WEATHER	40	1.25"
PS620-50DD	STANDARD	65	2.00"
PS620-50DD-DB	DRAIN BACK*	65	2.00"
PS620-50DD-CW	COLD WEATHER	65	2.00"

*ADJUST DOSE VOLUME TO INCLUDE TRANSPORT PIPE VOLUME

BIOTUBE® AND EASYPAK® ARE TRADEMARKS OF ORENCO SYSTEMS, INC.

Jensen Precast reserves the right to make changes to product design and/or dimensions without notice. Please contact Jensen Precast whenever necessary for confirmation or advice on product design.

JENSEN
PRECAST