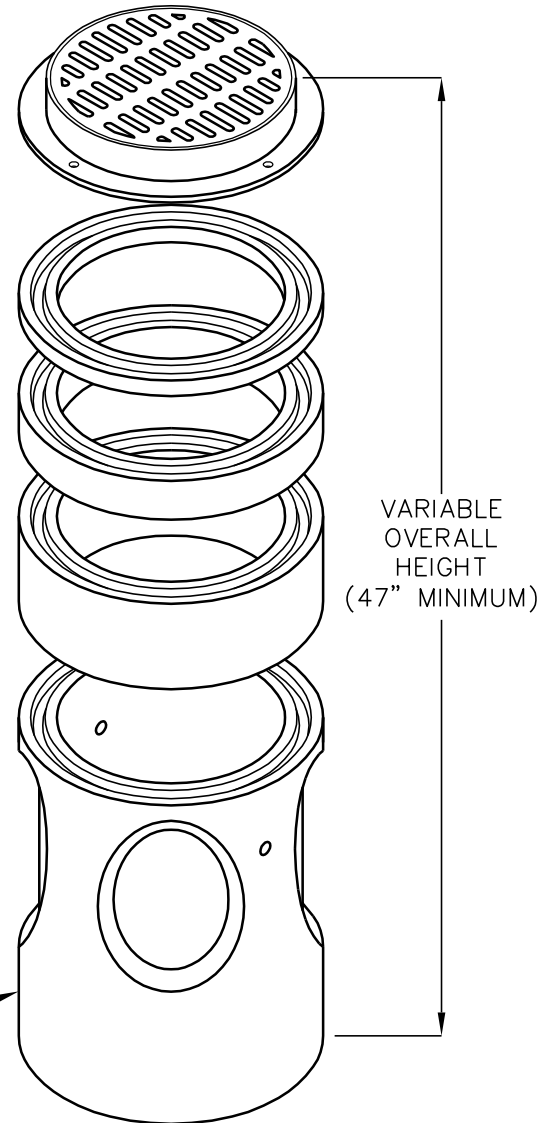
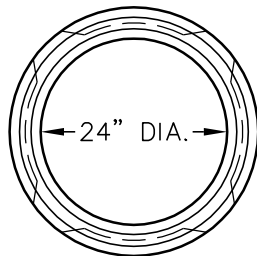
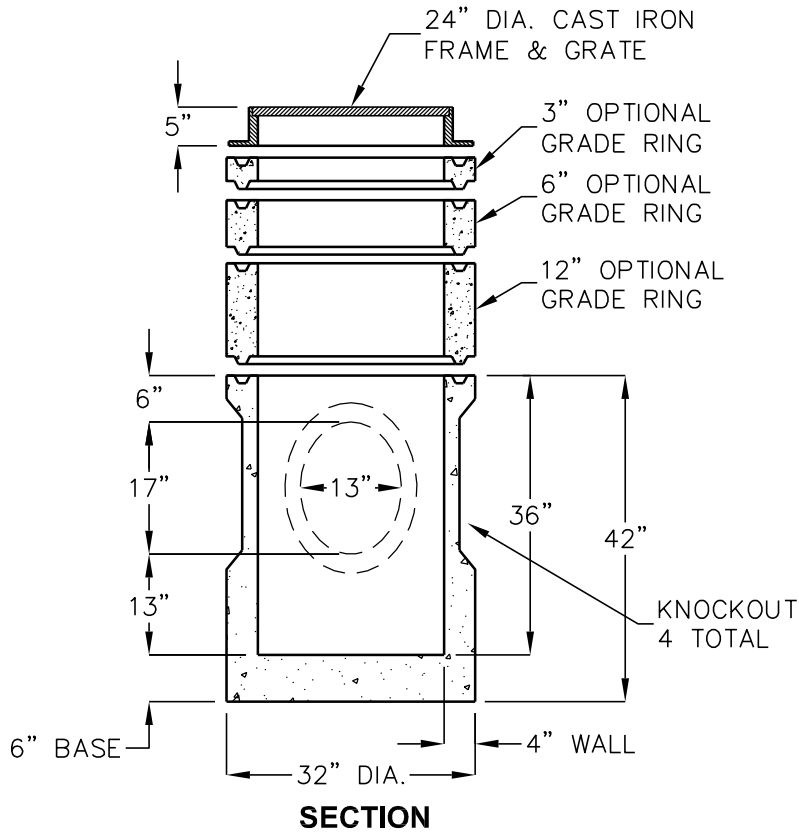


**MEETS REQUIREMENTS FOR
STANDARD DETAILS FOR
PUBLIC WORKS
CONSTRUCTION**

TYPE 3 CATCH BASIN

NO. 200 DROP INLET



OPTIONAL GRADE RINGS

DESCRIPTION	APPROX. WT.
2432 GR-03 GRADE RING	92 LBS.
2432 GR-06 GRADE RING	183 LBS.
2432 GR-12 GRADE RING	366 LBS.

DESIGN LOAD: H-20 TRAFFIC.

FOR COMPLETE DESIGN AND PRODUCT INFORMATION CONTACT JENSEN PRECAST.

Jensen Precast reserves the right to make changes to product design and/or dimensions without notice. Please contact Jensen Precast whenever necessary for confirmation or advice on product design.

**JENSEN
PRECAST**