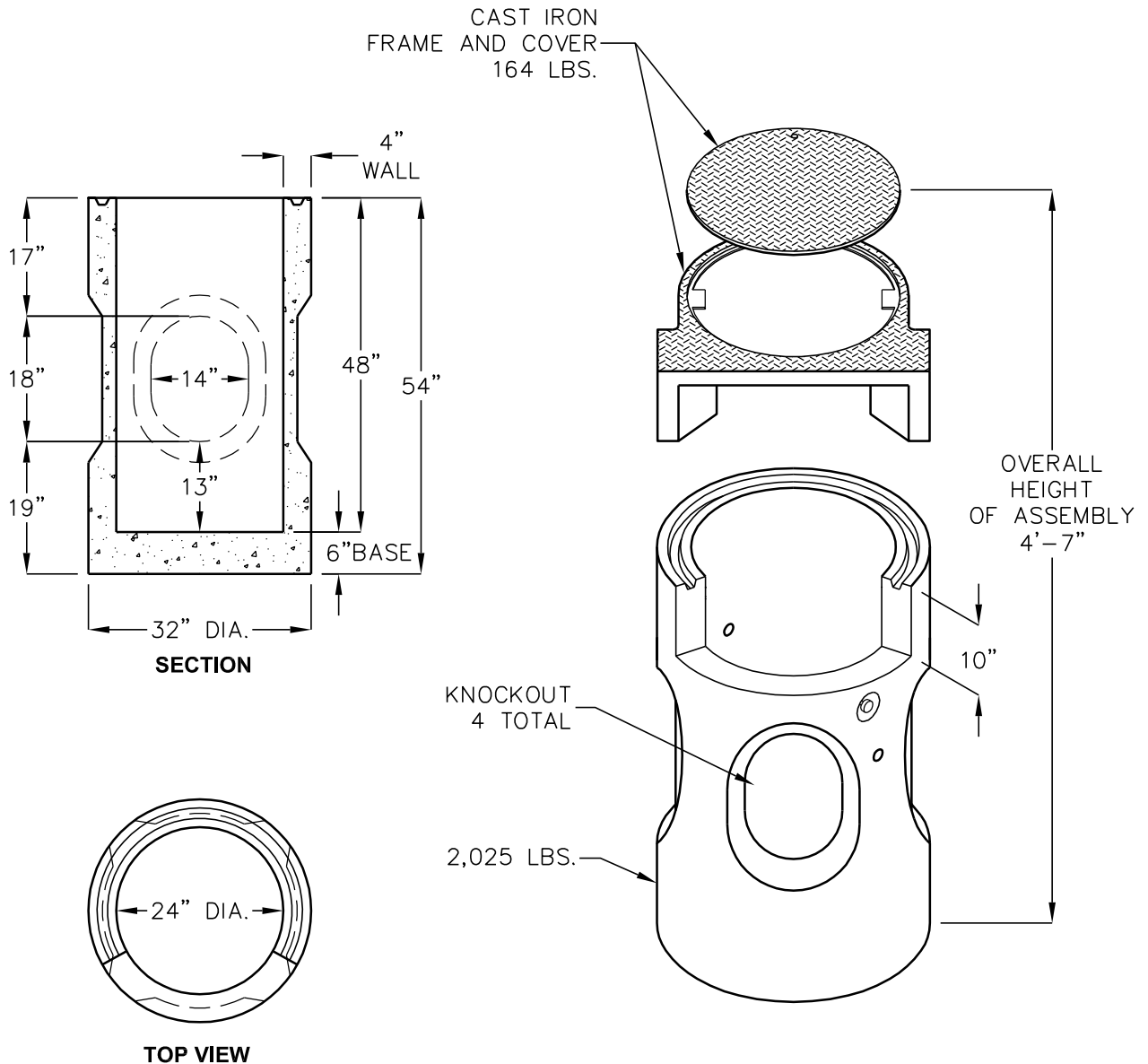


**MEETS REQUIREMENTS FOR
STANDARD DETAILS FOR
PUBLIC WORKS
CONSTRUCTION**

TYPE 1 CATCH BASIN

NO. 243 CURB INLET WITH FRAME AND COVER



DESIGN LOAD: NON-TRAFFIC.

FOR COMPLETE DESIGN AND PRODUCT
INFORMATION CONTACT JENSEN PRECAST.

Jensen Precast reserves the right to make changes to product design and/or dimensions without notice. Please contact Jensen Precast whenever necessary for confirmation or advice on product design.

JENSEN
PRECAST