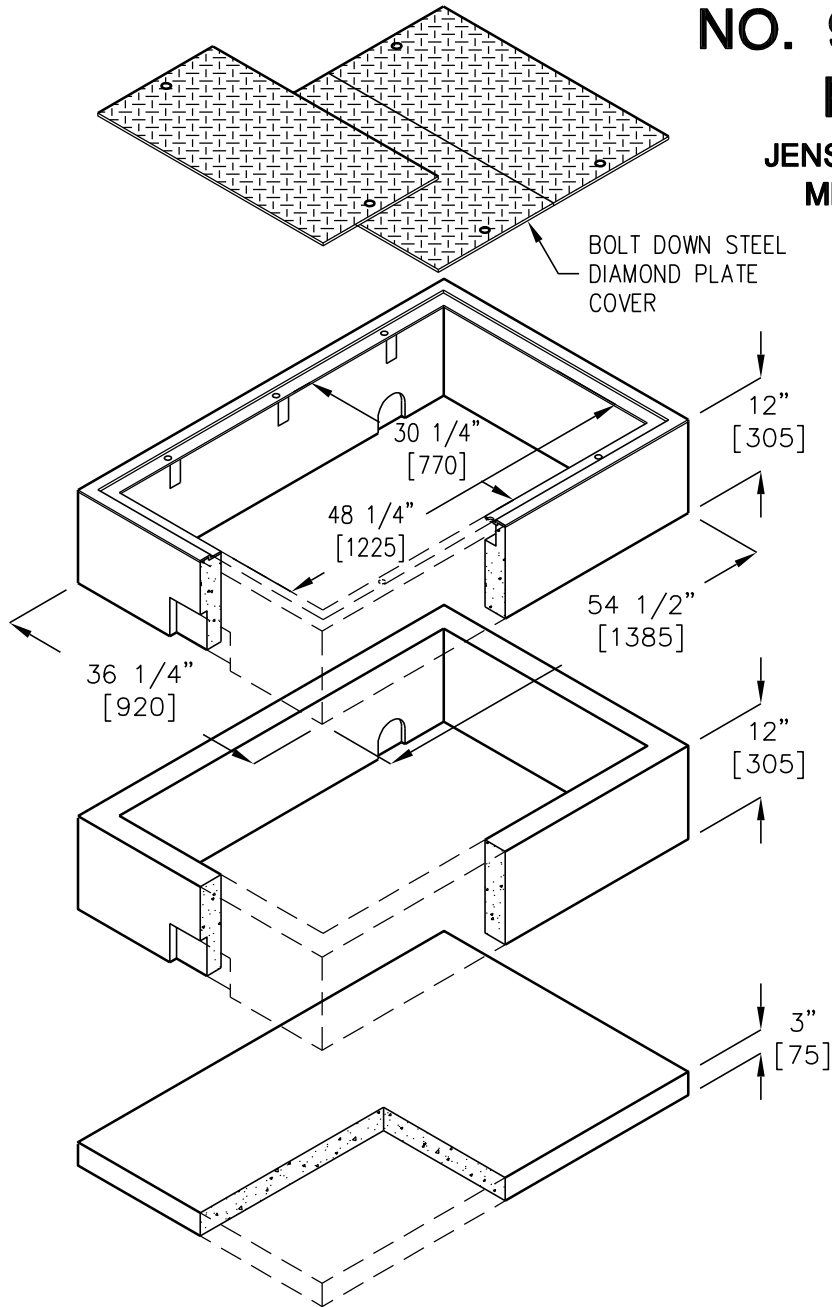


NO. 9 ELECTRICAL PULL BOX

JENSEN PRECAST B3048
MEETS NDOT NO. 9
SPECIFICATION



DESIGN LOAD: H-20 FULL TRAFFIC

CATALOG NUMBER	PRODUCT	DESCRIPTION	APPROX. WT. (LBS.)
CYB304863JH	COVER	3 PIECE STEEL CHECKER PLATE WITH HOLD DOWN BOLTS	445
CYB3048EX	EXTENSION	12" HIGH REINFORCED CONCRETE	318
CYN48SL	SLAB	REINFORCED CONCRETE	417

FOR COMPLETE DESIGN
AND PRODUCT INFORMATION
CONTACT JENSEN PRECAST.

NOTE: METRIC DIMENSIONS
ROUNDED TO NEAREST 5 MM.