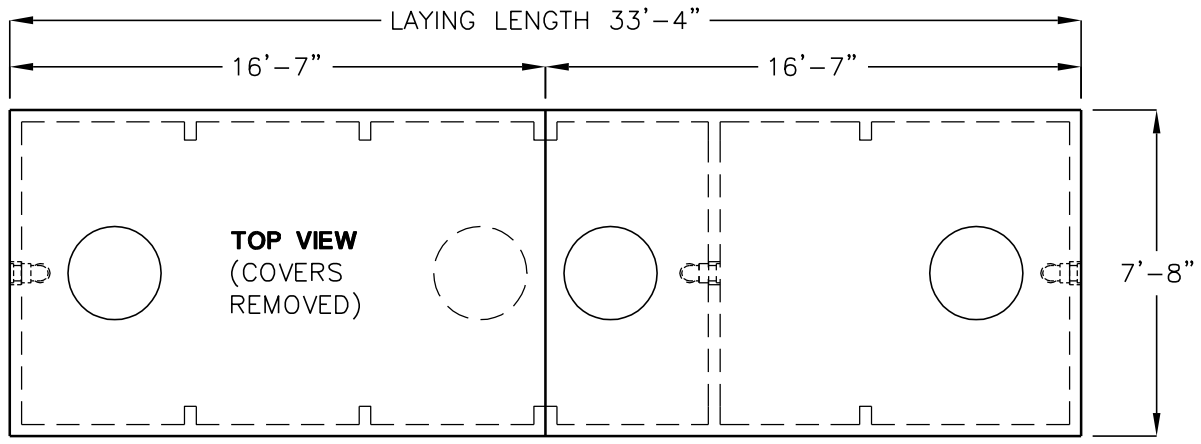
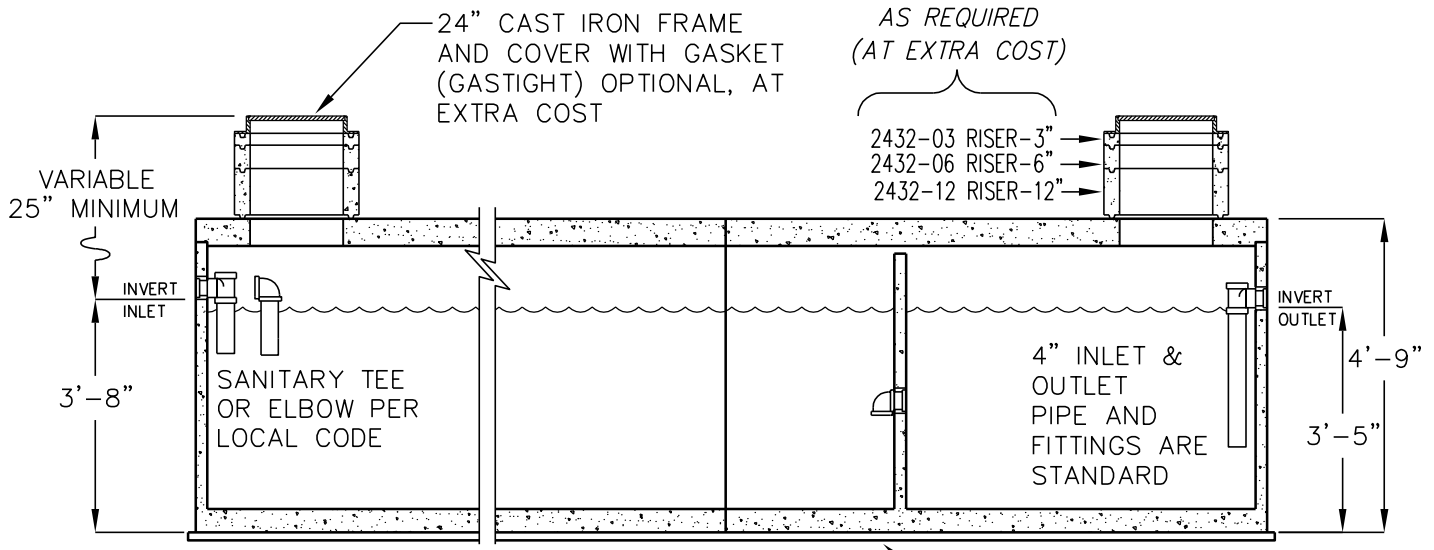


5000 GALLON LOW PROFILE BATTERY SAND-OIL INTERCEPTOR

MODEL 2XJP2500-SO



○ = RECOMMENDED RISER/CAST IRON COVER LOCATIONS

○ = OPTIONAL RISER/CAST IRON COVER LOCATIONS

ASSEMBLY SEQUENCE
SIDE VIEW

	1 COVER	2 COVER	
INLET	1 BASE	2 BASE	OUTLET

FOR INSTALLATION INSTRUCTIONS,
DESIGN AND PRODUCT INFORMATION,
CONTACT JENSEN PRECAST.

LIQUID CAPACITY: 5,000 GALLONS.
BOX DESIGN LOAD: H-20 TRAFFIC FROM
1' TO 5' OF SOIL COVER.