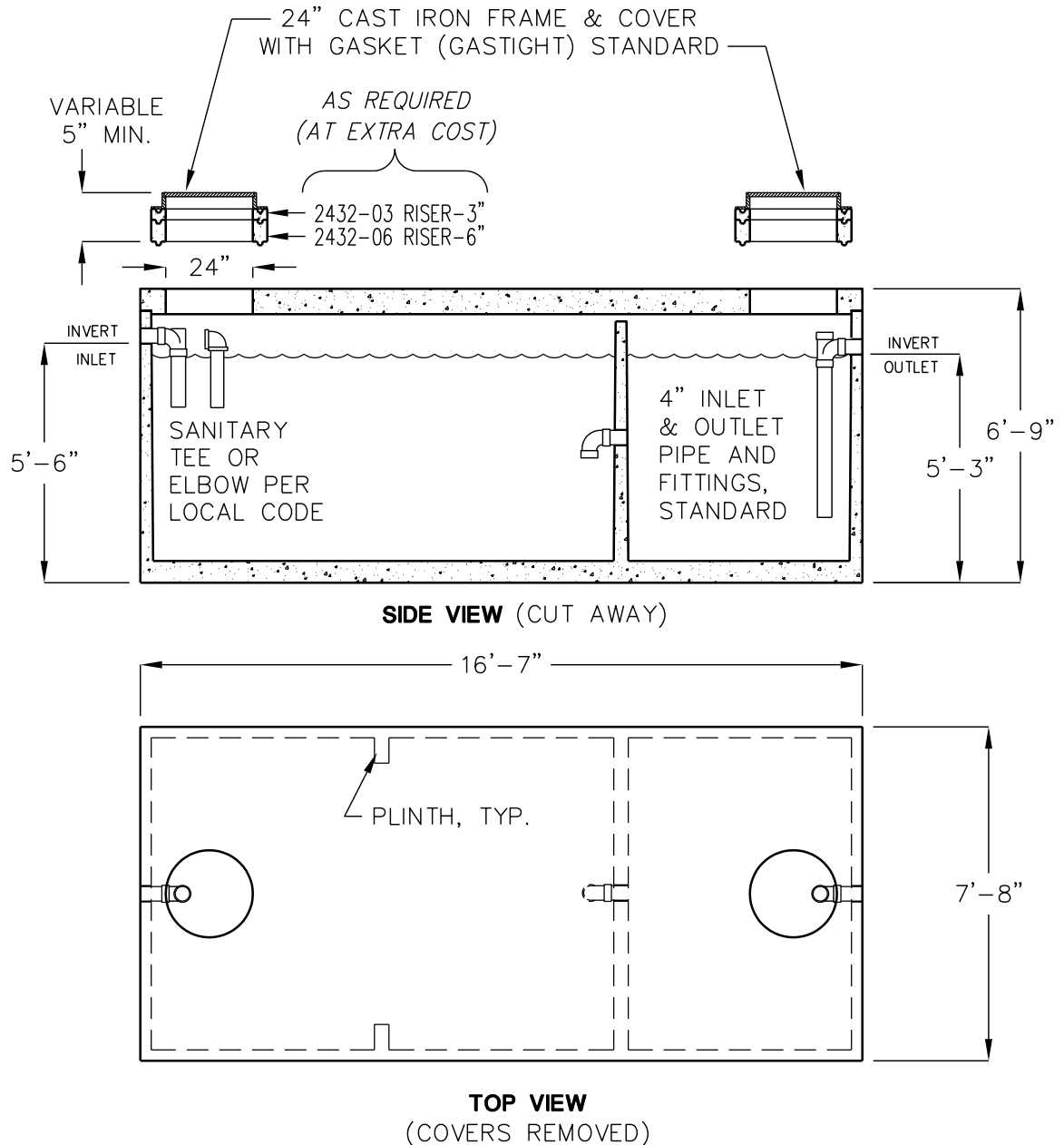


4000 GALLON SAND-OIL INTERCEPTOR

MODEL JZ4000EE-SO

ACCEPTED BY UPC®



LIQUID CAPACITY: 4,000 GALLONS.

BOX DESIGN LOAD: H-20 TRAFFIC FROM
1' TO 5' OF SOIL COVER.

FOR COMPLETE DESIGN AND PRODUCT
INFORMATION CONTACT JENSEN PRECAST.