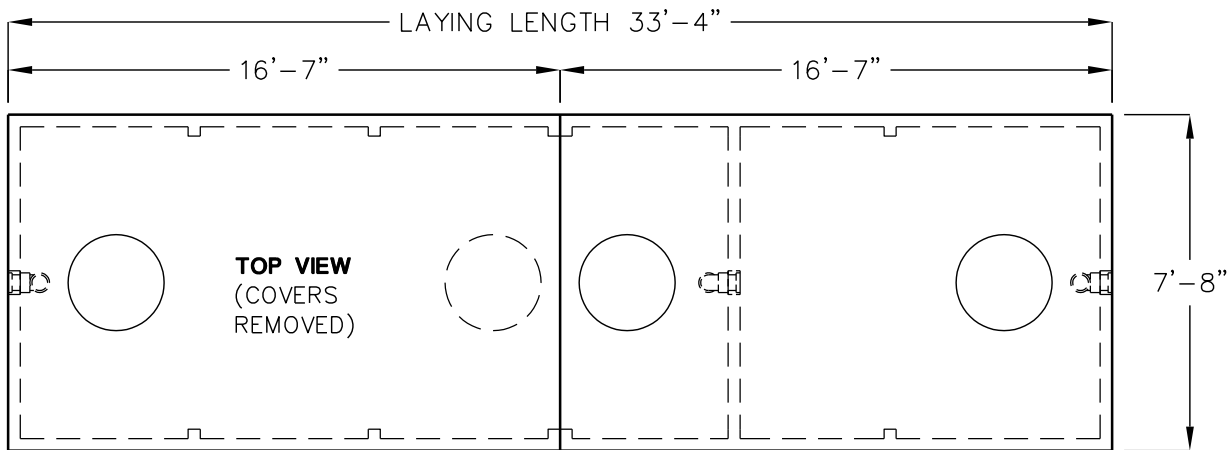
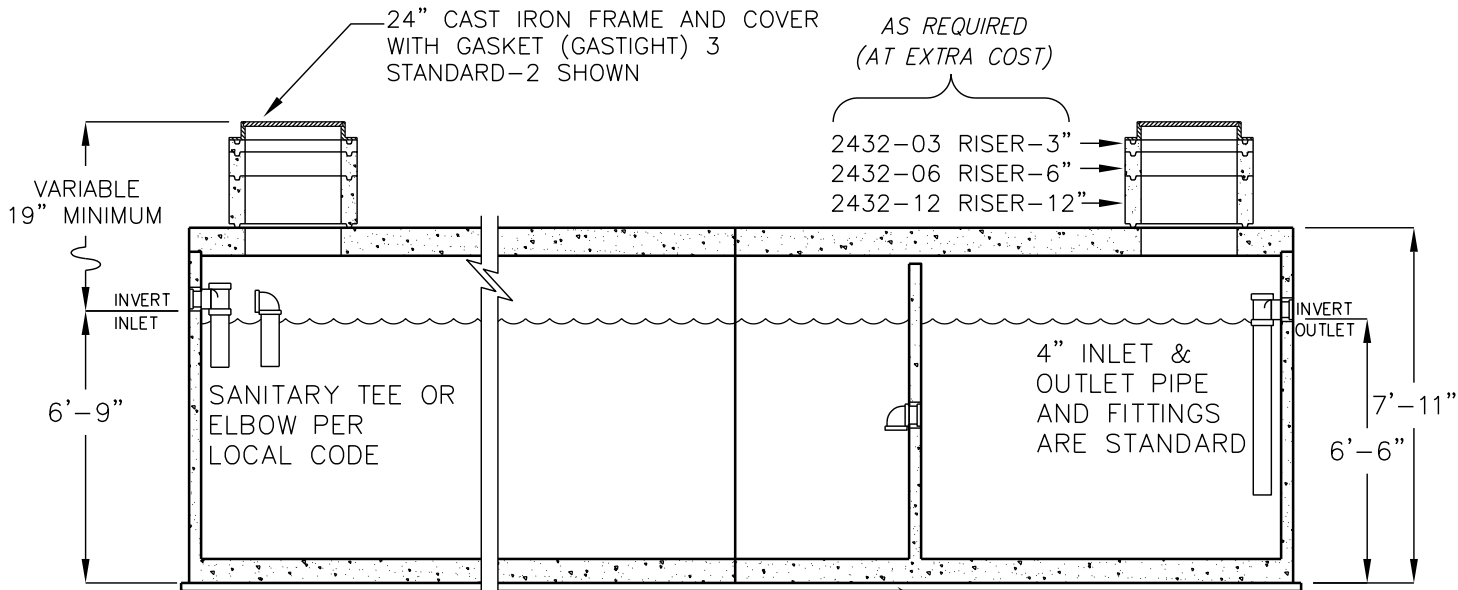


10,000 GALLON BATTERY SAND-OIL INTERCEPTOR MODEL 2XJZ5000-SO



ASSEMBLY SEQUENCE
SIDE VIEW

○ = RECOMMENDED
RISER/CAST IRON
COVER LOCATIONS

○ = OPTIONAL
RISER/CAST IRON
COVER LOCATIONS

INLET	1 TOP	2 TOP	OUTLET
	1 BASE	2 BASE	

FOR INSTALLATION INSTRUCTIONS,
DESIGN AND PRODUCT INFORMATION,
CONTACT JENSEN PRECAST.

LIQUID CAPACITY: 10,000 GALLONS.
BOX DESIGN LOAD: H-20 TRAFFIC FROM
1' TO 4' OF SOIL COVER.