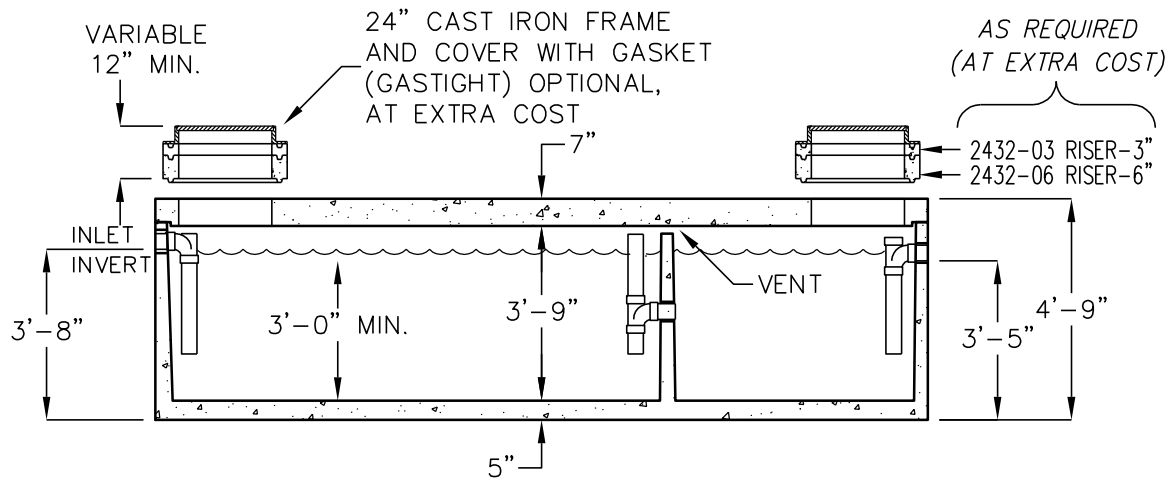
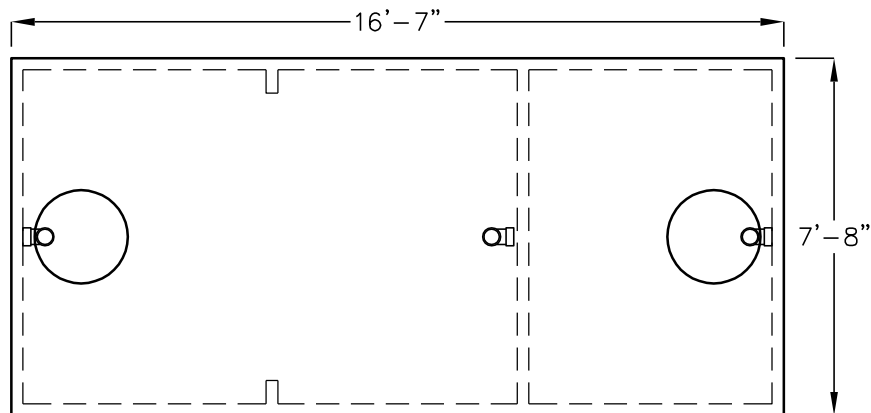


2500 GALLON LOW PROFILE GREASE INTERCEPTOR

MODEL JP2500EE-G



SIDE VIEW (CUT AWAY)



TOP VIEW

DESIGN LOAD:
H-20 TRAFFIC WITH
1' TO 5' EARTH COVER.

WATER TABLE ASSUMED TO BE
BELOW BOTTOM OF STRUCTURE.

FOR COMPLETE DESIGN AND
PRODUCT INFORMATION CONTACT
JENSEN PRECAST.