

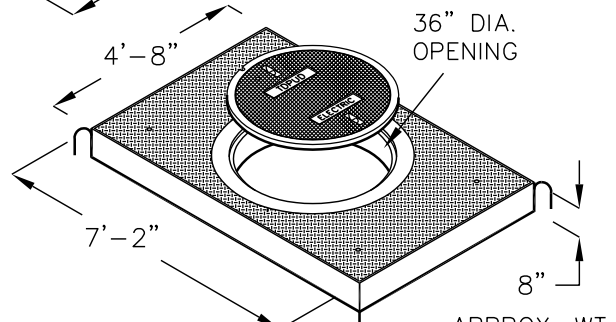
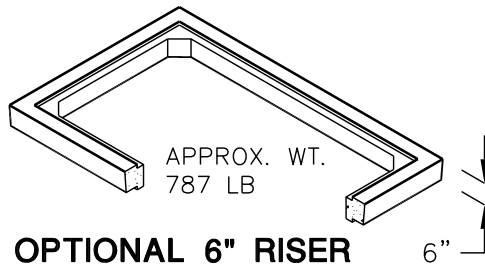
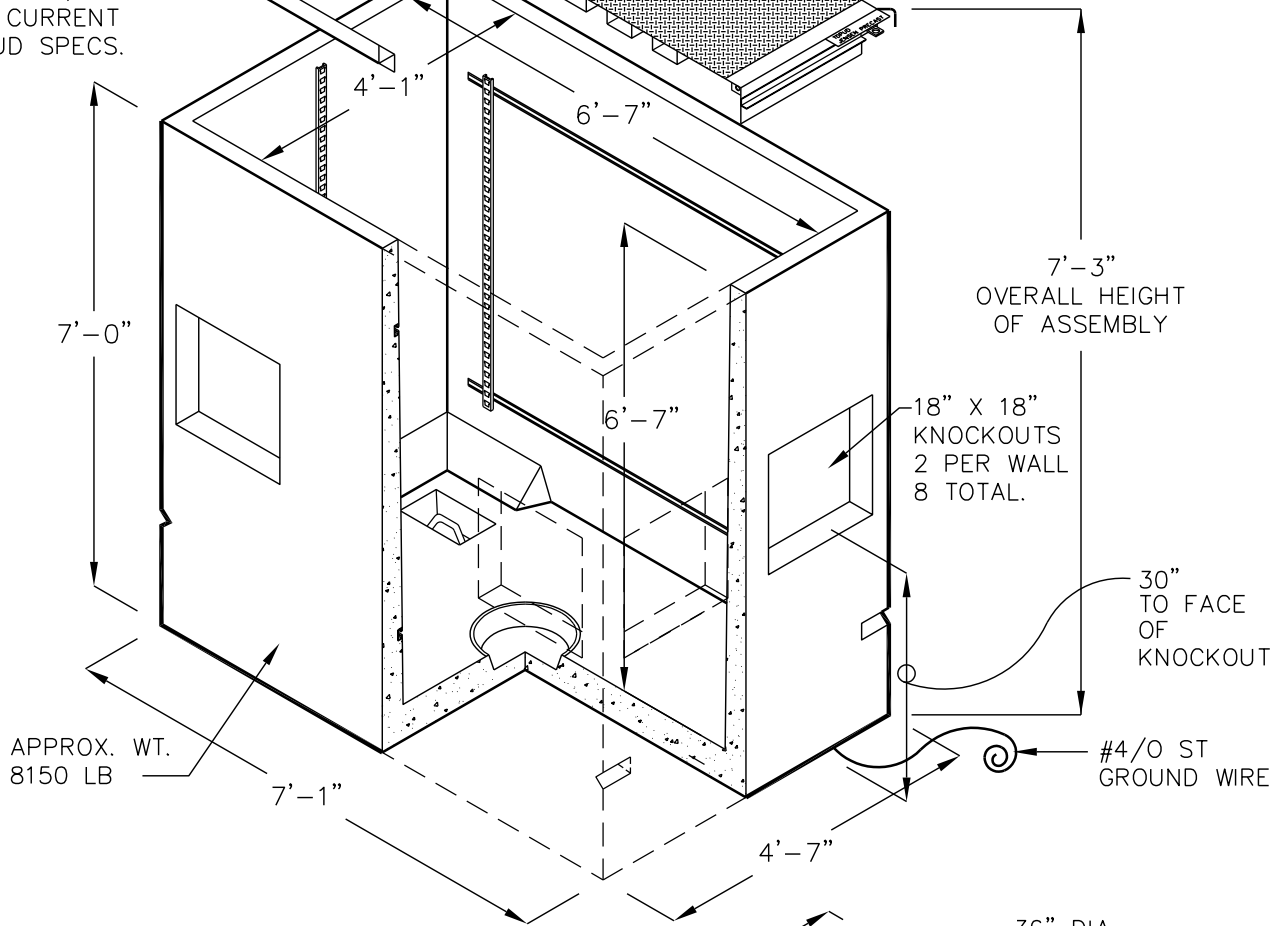
577TD

TRUCKEE DONNER PUBLIC UTILITY DIST.
 48" WIDE X 78" LONG X 79" DEEP I.D.
 ELECTRICAL VAULT
 WITH 4878AT-TRF COVER

VAULT INCLUDES
 LADDER AND
 LADDER-UP
 SAFETY POST,
 NOT SHOWN.

KNOCKOUTS,
 UNISTRUT,
 OPENINGS, ETC.
 PER CURRENT
 TDPUD SPECS.

4878AT-I COVER:
 TORSION SPRING ASSISTED COVER
 DESIGN LOAD:
 INCIDENTAL H-20
 APPROX. WEIGHT: 800 LB



4878HD36 COVER
 DESIGN LOAD:
 H-20 FULL TRAFFIC

FOR COMPLETE DESIGN
 AND PRODUCT INFORMATION,
 CONTACT JENSEN PRECAST.