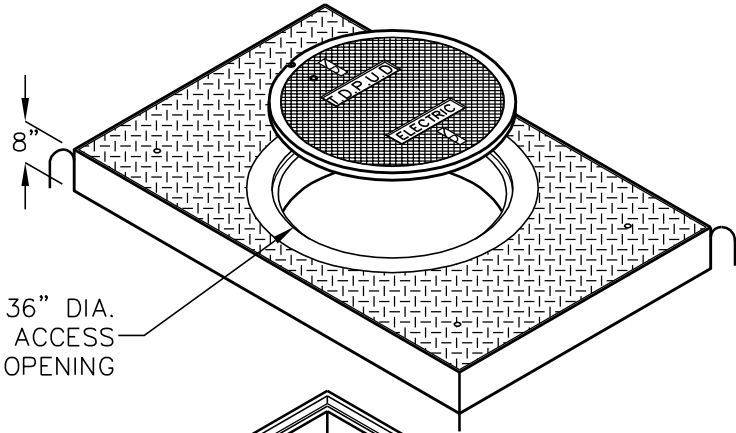


# 466TD

TRUCKEE DONNER PUBLIC UTILITY DIST.  
 4'-0" WIDE x 6'-6" LONG x 3'-0" DEEP I.D.  
 PULL BOX WITH COVER OPTIONS

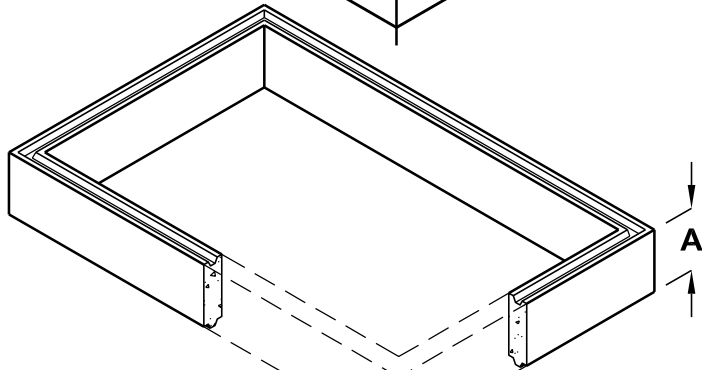
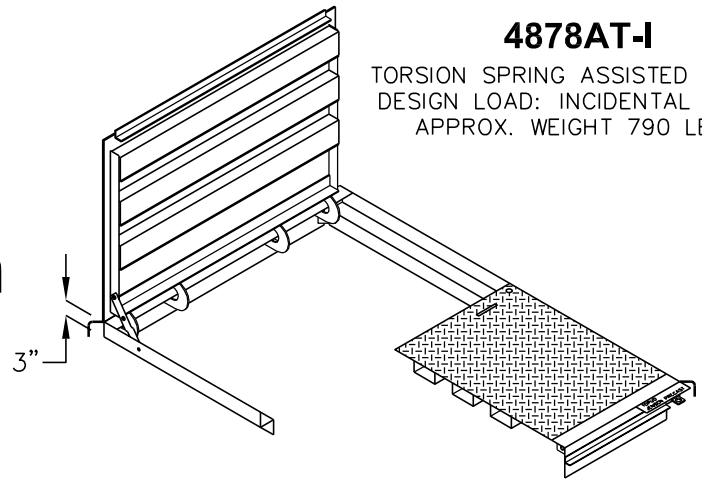
## 4878HD36

EQUIPMENT ACCESS COVER  
 DESIGN LOAD: H-20 FULL TRAFFIC  
 APPROX. WEIGHT 4100 LBS.

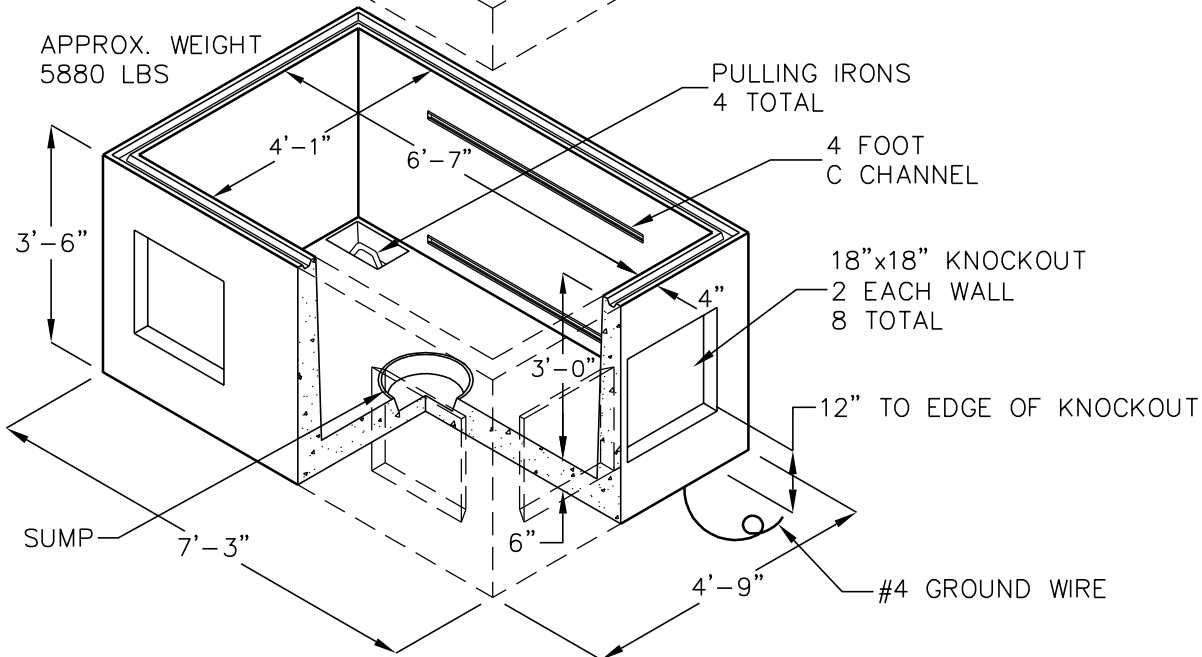


## 4878AT-I

TORSION SPRING ASSISTED COVER  
 DESIGN LOAD: INCIDENTAL H-20  
 APPROX. WEIGHT 790 LBS.



OPTIONAL RISERS (EXTENSIONS)		
MODEL NO.	A	WEIGHT
4878-R6	6"	650 LB
4878-R12	12"	1190 LB



KNOCKOUTS, UNISTRUT, OPENINGS, ETC. PER CURRENT TDPUD SPECIFICATIONS.

FOR COMPLETE DESIGN AND PRODUCT INFORMATION  
 CONTACT JENSEN PRECAST.

Jensen Precast reserves the right to make changes to product design  
 and/or dimensions without notice. Please contact Jensen Precast whenever  
 necessary for confirmation or advice on product design.

